

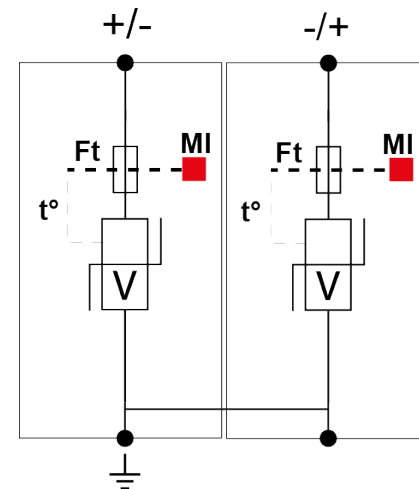
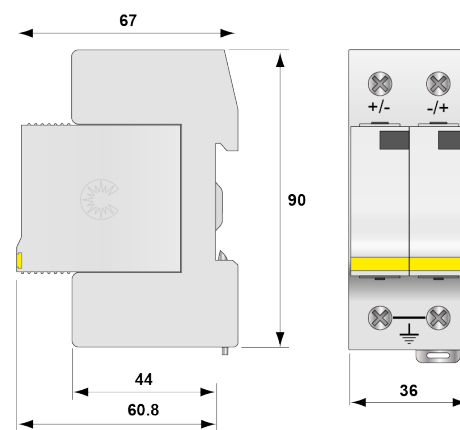


## DS50PV-600/51



- Type 2 surge protector
- 600 Vdc
- In : 15 kA
- I<sub>max</sub> : 40 kA
- Pluggable module
- Remote signaling (option)
- UTE C61-740-51, EN 50539-11 compliance

Electrical Characteristics		
SPD type <i>following IEC test</i>		2
Network		PV network 600 Vdc
Nominal PV voltage	<i>U<sub>ocstc</sub></i>	600 Vdc
Max. PV operating voltage	<i>U<sub>cpv</sub></i>	720 Vdc
Residual Current <i>Leakage current to Ground</i>	<i>I<sub>pe</sub></i>	< 0.1 mA
PV Permanent Operating current <i>Current consumption at U<sub>cpv</sub></i>	<i>I<sub>cpv</sub></i>	< 0.1 mA
Follow current	<i>I<sub>f</sub></i>	None
Nominal discharge current <i>15 x 8/20 μs impulses</i>	<i>I<sub>n</sub></i>	15 kA
Max. discharge current <i>max. withstand @ 8/20 μs by pole</i>	<i>I<sub>max</sub></i>	40 kA
Total Maximal discharge current <i>max. total withstand @ 8/20 μs</i>	<i>I<sub>max Total</sub></i>	60 kA
Current withstand short circuit PV	<i>I<sub>scpv</sub></i>	15000 A
Connection mode(s)		+/-/PE
Protection model(s)		Common mode
Protection level <i>@ I<sub>n</sub> (8/20μs)</i>	<i>U<sub>p</sub></i>	2.8 kV
Protection level L/N <i>@ I<sub>n</sub> (8/20μs)</i>	<i>U<sub>p L/N</sub></i>	2.8 kV
Protection level L/PE <i>@ I<sub>n</sub> (8/20μs)</i>	<i>U<sub>p L/PE</sub></i>	2.8 kV
Protection level CM/DM <i>@ I<sub>n</sub> (8/20μs)</i>	<i>U<sub>p mc/md</sub></i>	2.8 kV
Internal short circuit protection		No
Internal Thermal protection		Yes
Mechanical Characteristics		
Technology		MOV
Connection to Network		Screw terminals: 2.5-25mm <sup>2</sup>
Format		Plug-in modular box
Mounting		Symmetrical rail 35 mm (EN60715)
Housing material		Thermoplastic UL94-V0
Operating temperature		-40/+85°C
Protection rating		IP20
Failsafe behavior		Disconnection SPD of the PV line
Disconnection indicator		2 mechanical indicators
Spare module(s)		DSM50PV-600/51
Remote signaling of disconnection		Option DS50PVS-600/51 - output on changeover contact
Dimensions		See diagram



V: High-energy varistor  
 Ft: Thermal fuse  
 t°: Thermal disconnection system  
 MI: Disconnection indicator



CITEL

<b>Disconnectors</b>		
Thermal disconnecter		internal
Fuses		Without
<b>Standards</b>		
Standards compliance		EN 61643-11
Certification		EAC
Part Number		480421