



CITEL

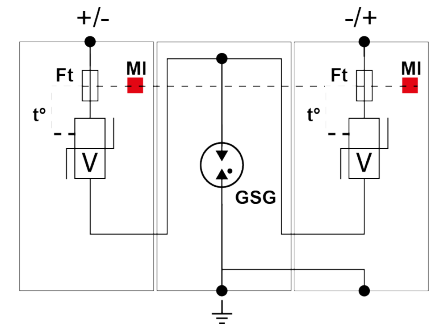
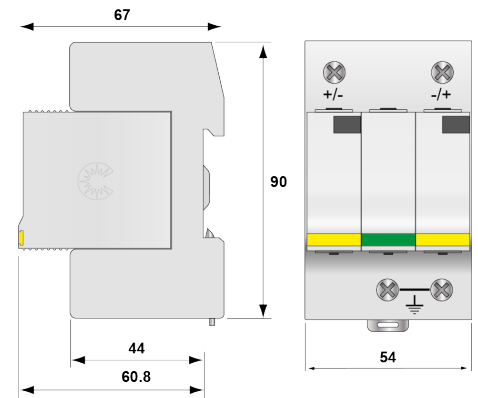


DS50PV-1000G/51



- Type 2 surge protector
- 1000 Vdc
- In : 15 kA
- I_{max} : 40 kA
- Pluggable module
- Remote signaling (option)
- UTE C61-740-51, EN 50539-11 compliance

Electrical Characteristics		
SPD type <i>following IEC test</i>		2
Network		PV network 1000 Vdc
Nominal PV voltage	<i>U_{ocstc}</i>	1000 Vdc
Max. PV operating voltage	<i>U_{cpv}</i>	1200 Vdc
Residual Current <i>Leakage current to Ground</i>	<i>I_{pe}</i>	None
PV Permanent Operating current <i>Current consumption at U_{cpv}</i>	<i>I_{cpv}</i>	< 0.1 mA
Follow current	<i>I_f</i>	None
Nominal discharge current <i>15 x 8/20 μs impulses</i>	<i>I_n</i>	15 kA
Max. discharge current <i>max. withstand @ 8/20 μs by pole</i>	<i>I_{max}</i>	40 kA
Total Maximal discharge current <i>max. total withstand @ 8/20 μs</i>	<i>I_{max Total}</i>	60 kA
Current withstand short circuit PV	<i>I_{scpv}</i>	15000 A
Connection mode(s)		+/-/PE
Protection model(s)		Common/Differential mode
Protection level <i>@ I_n (8/20μs)</i>	<i>U_p</i>	2.2 kV
Protection level L/N <i>@ I_n (8/20μs)</i>	<i>U_{p L/N}</i>	2.2 kV
Protection level L/PE <i>@ I_n (8/20μs)</i>	<i>U_{p L/PE}</i>	2.2 kV
Protection level CM/DM <i>@ I_n (8/20μs)</i>	<i>U_{p mc/md}</i>	2.6 / 4.6 kV
Internal short circuit protection		No
Internal Thermal protection		Yes
Mechanical Characteristics		
Technology		MOV+GDT
Connection to Network		Screw terminals: 2.5-25mm ²
Format		Plug-in modular box
Mounting		Symmetrical rail 35 mm (EN60715)
Housing material		Thermoplastic UL94-V0
Operating temperature		-40/+85°C
Protection rating		IP20
Failsafe behavior		Disconnection SPD of the PV line
Disconnection indicator		2 mechanical indicators
Spare module(s)		DSM50PV-1000G/51
Remote signaling of disconnection		Option DS50PVS-1000G/51 - output on changeover contact
Dimensions		See diagram



V: High-energy varistor
 GSG: Specific Gas Tube
 Ft: Thermal fuse
 t°: Thermal disconnection system
 MI: Disconnection indicator



CITEL

Disconnectors		
Thermal disconnecter		internal
Fuses		Without
Standards		
Standards compliance		EN 61643-11
Certification		VDE / OVE / EAC
Part Number		480381