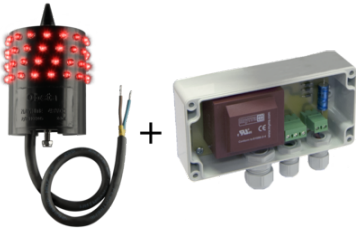


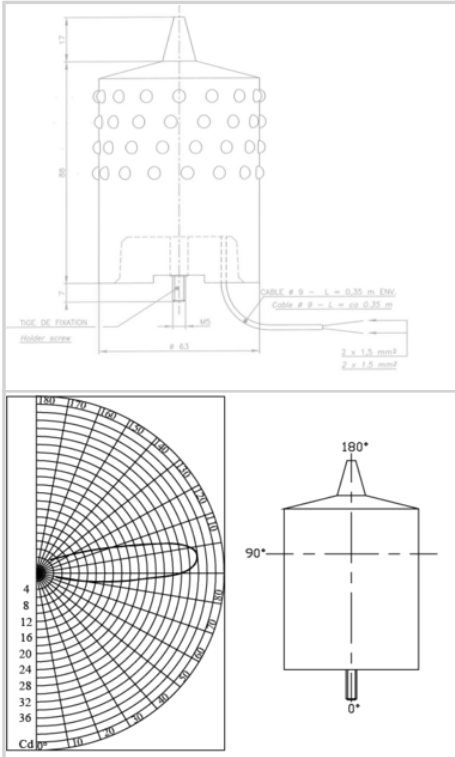
Red fixed low intensity type A and B



230VAC light including

- one NAVILITE-48V-CABLE lamp (113905) provided with 35cm of mold cable
- one transformer 230VAC->48Vdc (113911)

The stainless steel bracket NAVILITE-HOLDER to fix the lamp and its transformer has to be ordered separately



Electrical Characteristics	
Wattage	6 W
Current drawn	70 mA
Life time	~10years
Main voltage	230VAC +/-10%
Mechanical Characteristics	
IP degree	IP66 for the light and IP65 for the power supply
Wiring	Terminal connection (2 power wires)
Operating temperature	-40/+55°C
Weight	1.4 kg
Size of the light	112mm (height) x 63mm (over diameter)
Weight	1,8 kg
Wire cross section	from 1 to 2,5 mm <sup>2</sup>
Attachment	1 screw M5 provided
Photometric Characteristics	
Luminous intensity	> 32cd
Color night time	Red fixed
Vertical beam spread	>10°
Horizontal beam spread	360°
Standards	
Standards compliance	ICAO annexe 14 chapter 6 (8th edition 07/2018), EASA (4th edition 2017)