

White medium intensity system FAA L-865 ETL certified

Flashhead

- 6 led projectors with 2 white led circuits
- Aluminium and glass envelope
- Simple installation with no losing parts when opening the flashhead
- Led drivers in stainless enclosure inside the flashhead with 2 stage surge protections

Power supply

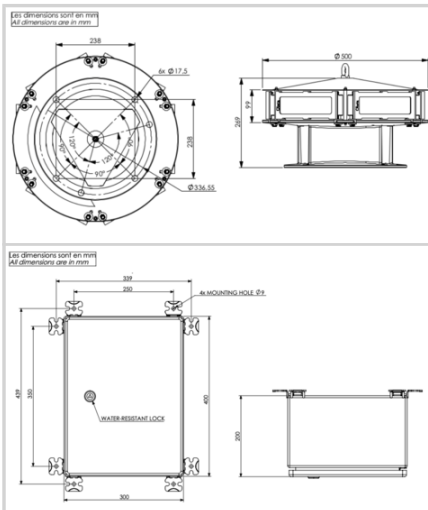
- 'Weather tight' stainless steel 316L power cabinet enclosure
- Test button with 3 positions: remote (photocell), day and night mode
- Alarm dry contact NC and NO
- External photocell
- Master/slave configuration in case of multiple lights synchronisation



Patents: EP 1966535B1 & US 7816843



Intertek



| Electrical Characteristics | |
|--|--|
| Main voltage | 110VAC to 240VAC +/-10% 50/60Hz |
| Average wattage | 55W (day time), 8W (night mode) |
| Mechanical Characteristics | |
| IP degree | IP66 per projector |
| Wiring | Entry of cable by glands nickel plated brass and connection by terminals |
| Operating temperature | -40/+55°C |
| Size of the light | 333mm (height) x 500mm (diameter) |
| Size of the power supply | 400mm (height) x 300mm (width) x 200mm (dept) |
| Weight | 14kg for flashhead, 10kg for power cabinet |
| Wire cross section | from 1 to 4 mm ² |
| Attachment | 6 mounting holes dia. 16mm, dia. 337mm circle (FAA standard) |
| Photometric Characteristics | |
| Effective light output day time at 0° on site | 20 000cd (white) |
| Effective light output twilight mode at 0° on site | 20 000cd (white) |
| Effective light output night mode at 0° on site | 2000cd (white) |
| Color day/twilight time | white |
| Color night time | White |
| Vertical beam spread | >3° |
| Horizontal beam spread | 360° |
| Flash per minute | 40 |
| Standards | |
| Standards compliance | ICAO annex 14 chapter 6, FAA (AC 150/5345-43J), UK MOD, Transport Canada |
| Certification | FAA (AC 150/5345-43J), ETL listed, DGAC(France) |