

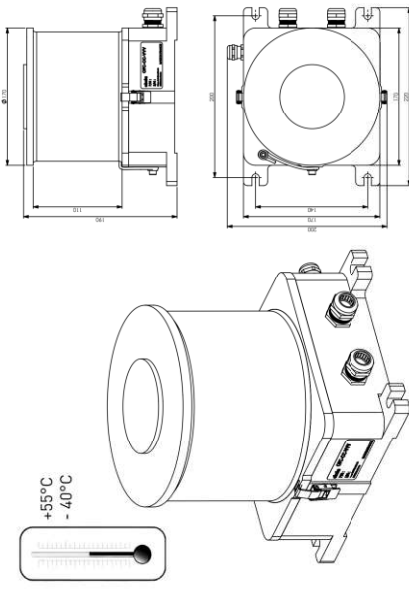
INSTALLATION INSTRUCTIONS -
 NOTICE D'INSTALLATION -
 NOTICIA DE INSTALACIÓN -
 INSTALLATIONSINHWISE -
 ISTRUZIONI PER L'INSTALLAZIONE -
 - INSTRUÇÕES DE INSTALACAO -
 MONTAZNI NAVOD -
 РУКОВОДСТВО ПО МОНТАЖУ -
 安装指导书

O-PRT-00003-OFC_C

Technical Data

Designation	P/N					
	<p>OFC - RI - XXX - RG</p> <p>OPTION 0 : no option 1 : with photoresistor 2 : with GPS</p> <p>048 : 48Vdc 240 : 110-240Vac</p> <p>input voltage</p>	113790RI-048	113790RI-048-R	113790RI-048-G	113790RI-048-RG	113790RI-240
Input voltage	48Vdc +15%/ -10 % 110-240Vac +/-10 %					
Connexion	By terminal connexion : 6mm ² max for power supply, 1.5mm ² max for control					
Optional interface	Built-in photoresistor → see note 1 (A) Built-in GPS → see note 3 (B)					
synchronisation by wire of 2 or more lights	See page 2					
Attachment	By 4 M8 screws - Power supply failure - Lamp failure					
Alarm conditions	all					
Setting of dip switches	Switch #	Default value	Function	Comment		
	1	ON / OFF	Normal / Reset	Switch to reset the light and alarm (to be used only for maintenance)		
	2	X	Master / Slave	Master mode (default mode); In slave mode (to be used for synchronization), the light waits for the signals coming from the master light		
	3-4	X	Test switches	Keep them always OFF		
	5-12	-	Factory setting of the light	See p.2		

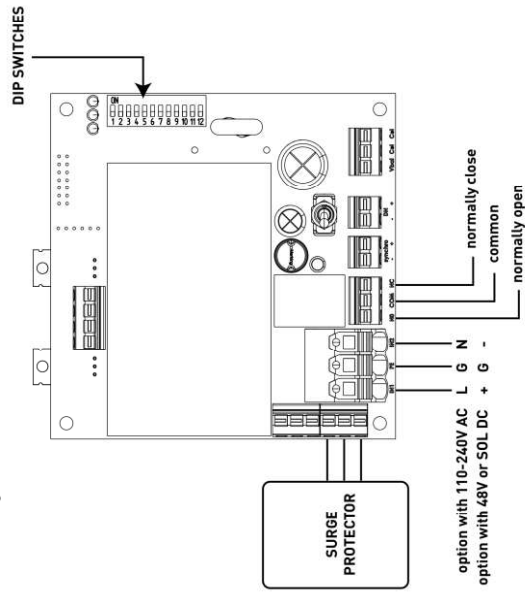
Obstaflash compact OFC



The light assembly fixture must be mounted "upright" (as illustrated) to meet the optical specification required for Aircraft Obstruction lights. When mounted in other position, the fixture will not be considered as an Aircraft Obstruction lights

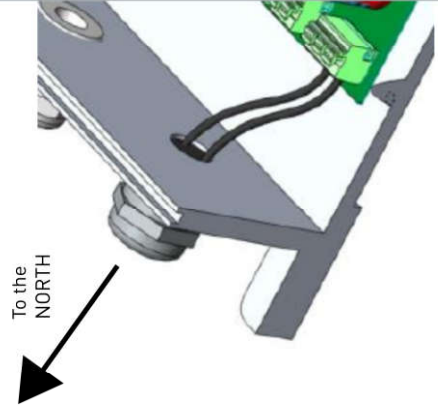
Wiring of power supply + alarm

Same diagram for all model



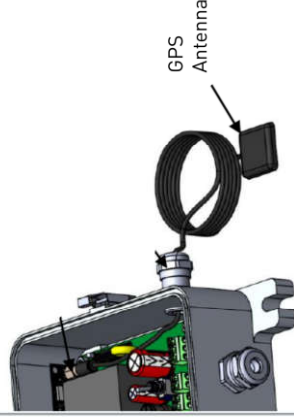
A Option with R or RG

+ Photocensor to be « North oriented in the North hemisphere »



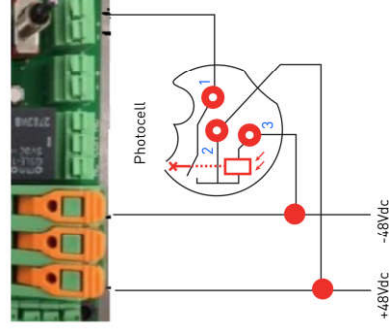
B Option with G or RG

+ GPS antenna with magnet to be fixed outside and unmasked



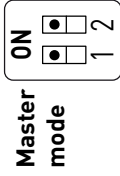
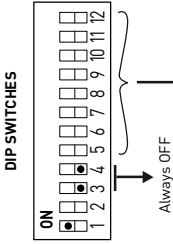
Option with external photocell

+ 48Vdc external photocell (P/N 100755) to be « North oriented in the North hemisphere » connected on 48Vdc light (specific configurations 46 or 47)



Synchronisation of 2 or more lights by shielded cable

Warning : the mode of your OFC (L-864 mode, medium intensity type B mode, medium intensity red steady mode etc.) depends on factory settings.



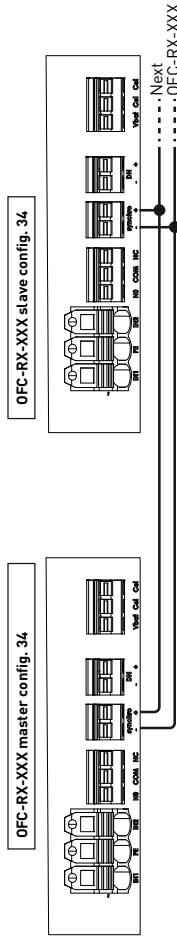
Slave units:

Factory settings

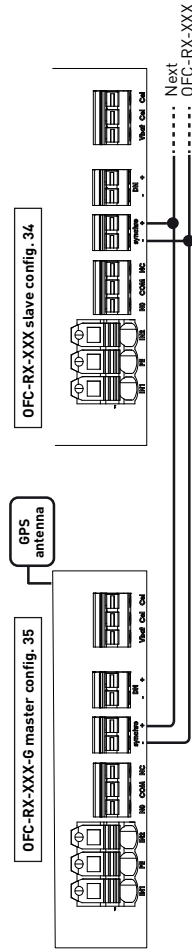
Configuration number	Positions of the dipswitches [5-6-7-8-9-10-11-12]	Interface required	operation
32	00000100 5 6 7 8 9 10 11 12	(R)	night only operation through the photocensor
33	10000100 5 6 7 8 9 10 11 12	(G)	Both flash synchronisation and night only operation through the GPS
34	01000100 5 6 7 8 9 10 11 12	-	day and night operation
35	11000100 5 6 7 8 9 10 11 12	(G)	flash synchronisation through the GPS
37	10100100 5 6 7 8 9 10 11 12	(RG)	flash synchronisation through the gps + night only operation through the photocensor
46	01110100 5 6 7 8 9 10 11 12	-	night only operation through the 48V signal
47	11110100 5 6 7 8 9 10 11 12	(G)	flash synchronisation through the gps + night only operation through the 48V signal

WARNING: List of configurations compliant with ICAO Medium Intensity type B & FAA-L864 with IR, for other configuration (Medium Intensity type C and others) please read the manual or contact your OBSTA representative

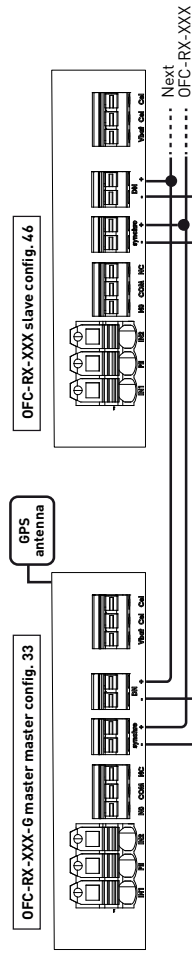
Flash synchronisation



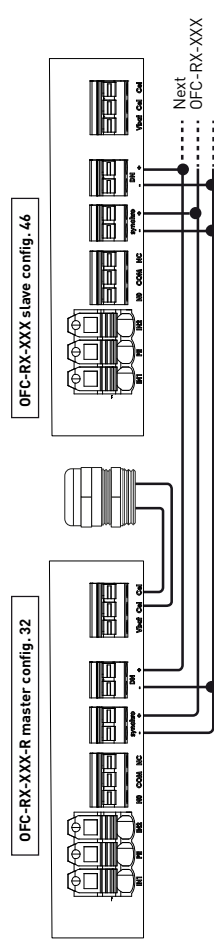
G Flash synchronisation by GPS



G Flash synchronisation + on / off by GPS



R Flash synchronisation + on / off by photocensor



RG Flash synchronisation by GPS + on / off by photocensor

