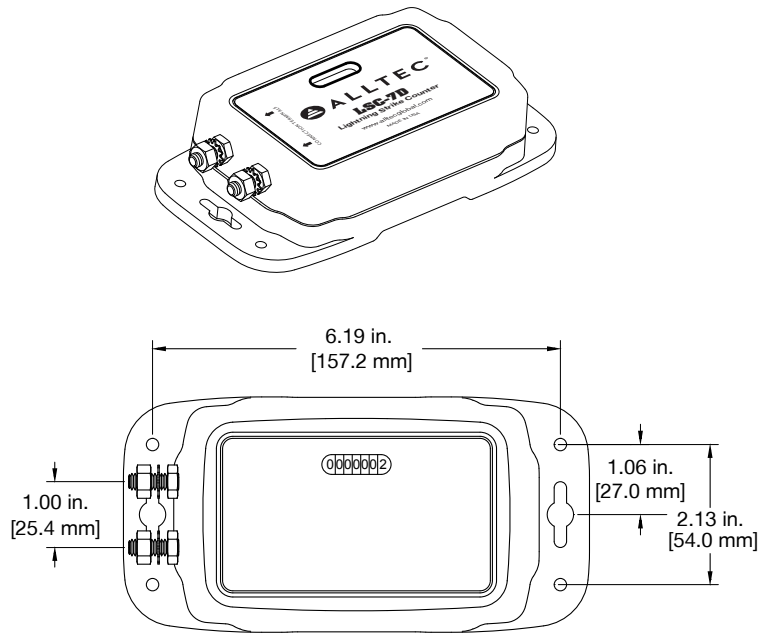
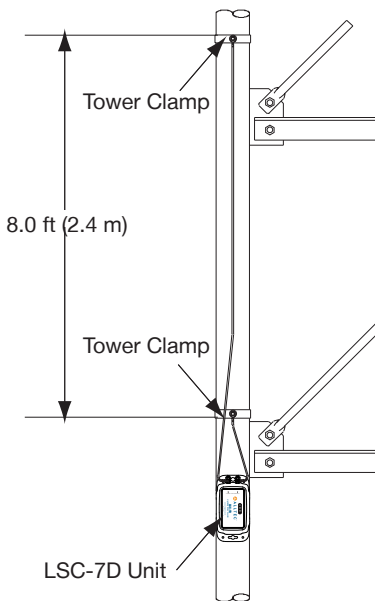


Lightning Strike Counter

The counter displays the number of lightning strikes that have hit a system. The counter is for use on tower legs or cable conductors. It connects to two points on the conductor, spaced at least 8 feet apart, using 14 AWG (25 mm²) insulated wire. Features include weatherproof NEMA 4X & IP65 enclosure, internal protection, and seven digit readout. This device easily mounts to any flat surface. The Lightning Strike Counter LSC-7D is acceptable for outdoor use.

Part Number	Description	Weight
LSC-7D	Lightning Strike Counter	5 oz (141.75 g)

Tower Model



Building Model

