



CITEL



## DS72R-48DC

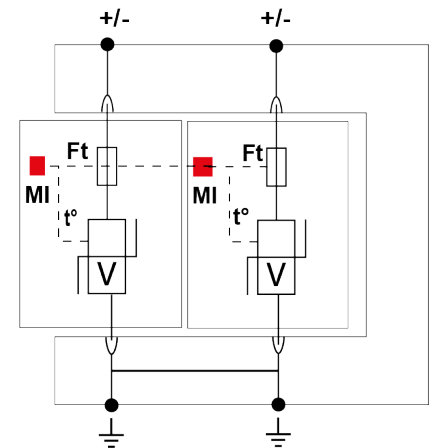
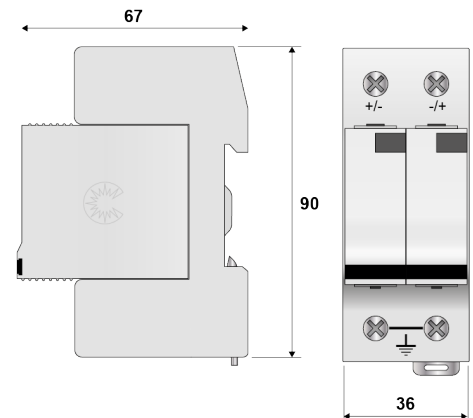


- 2-poles surge protector 48 Vdc
- Type 1 et Type 2
- In 30 kA / I<sub>max</sub> 70 kA
- Remote signaling
- I<sub>imp</sub> 7 kA
- Pluggable Module
- IEC 61643-11 and EN61643-11 compliance
- UL1449 ed.4

Electrical Characteristics		
SPD type <i>following IEC test</i>		1 ou 2
Network		48 Vdc
Nominal line voltage	<i>U<sub>n</sub></i>	48 Vdc
Nominal DC voltage	<i>U<sub>n-dc</sub></i>	48 Vdc
Max. DC operating voltage	<i>U<sub>c</sub></i>	65 Vdc
Operating current <i>Continuous current at U<sub>c</sub></i>	<i>I<sub>c</sub></i>	< 0.1 mA
Follow current	<i>I<sub>f</sub></i>	None
Nominal discharge current <i>15 x 8/20 μs impulses</i>	<i>I<sub>n</sub></i>	30 kA
Max. discharge current <i>max. withstand @ 8/20 μs by pole</i>	<i>I<sub>max</sub></i>	70 kA
Total Maximal discharge current <i>max. total withstand @ 8/20 μs</i>	<i>I<sub>max Total</sub></i>	140 kA
Impulse current by pole <i>max. withstand 10/350μs by pole</i>	<i>I<sub>imp</sub></i>	7 kA
Total lightning current <i>max. total withstand @ 10/350μs</i>	<i>I<sub>total</sub></i>	14 kA
Connection mode(s)		+/-PE and -/+PE
Protection mode(s)		Common mode
Protection level <i>@ I<sub>n</sub> (8/20μs)</i>	<i>U<sub>p</sub></i>	300 V
Protection level L/PE <i>@ I<sub>n</sub> (8/20μs)</i>	<i>U<sub>p L/PE</sub></i>	300 V
Internal Thermal protection		Yes

Mechanical Characteristics		
Technology		MOV
SPD configuration		2-pole
Connection to Network		by screw terminals: 4-25 mm <sup>2</sup>
Format		Plug-in modular box
Mounting		Symmetrical rail 35 mm (EN60715)
Housing material		Thermoplastic UL94-V0
Operating temperature		-40/+85°C
Protection rating		IP20
Failsafe behavior		Disconnection
Disconnection indicator		2 mechanical indicators
Spare module(s)		DSM70R-48DC
Remote signaling of disconnection		DS72RS-48DC option : output on changeover contact
Dimensions		See diagram

Disconnectors		
Thermal disconnector		Internal
Fuses		Fuses Type gG - 100 A



V: High-energy varistor  
 Ft: Thermal fuse  
 t°: Thermal disconnection system  
 MI: Disconnection indicator



<b>Standards</b>		
Standards compliance		IEC 61643-11 / EN 61643-11 / UL1449 4ed.
Certification		UL1449 ed.4
<b>Part Number</b>		492101