

# TYPE 1+2 PV SURGE PROTECTOR



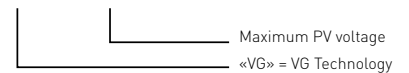
DS60VGPV-1500G/51



## DS60VGPV/51 SERIES

- VG-Technology
- No leakage, no operating currents
- Improved life expectancy
- $I_{imp}/I_{total}$  12.5 / 25 kA @ 10/350 $\mu$ s
- Common and Differential mode protection
- Remote Signaling
- EN 50539-11 compliance
- VDE and OVE approved

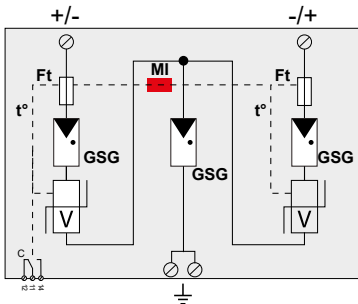
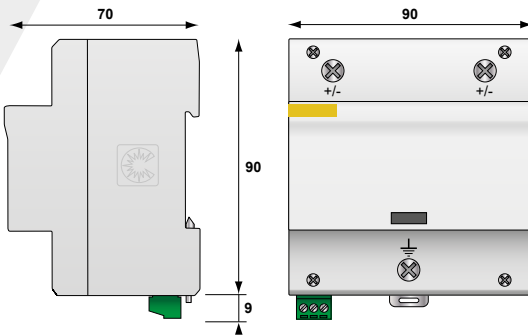
DS60VGPV-xxxG/51



### Characteristics

CITEL Model	DS60VGPV-600G/51	DS60VGPV-1000G/51	DS60VGPV-1500G/51
Description	Type 1+2 PV surge protector		
Network	Uocstc 600 Vdc	1000 Vdc	1250 Vdc
Connection mode	+/-/PE	+/-/PE	+/-/PE
Protection mode(s)	CM/DM	CM/DM	CM/DM
Max. PV operating voltage	Ucpv 720 Vdc	1200 Vdc	1500 Vdc
Current withstand short circuit PV	Iscpv 15 000 A	15 000 A	15 000 A
Permanent operating current	Icpv None	None	None
Leakage current at Ucpv			
Residual current	Ipe None	None	None
Leakage current at Ucpv			
Nominal discharge current	In 20 kA	20 kA	20 kA
15 x 8/20 $\mu$ s impulses			
Max. discharge current	I <sub>max</sub> 40 kA	40 kA	40 kA
max. withstand @ 8/20 $\mu$ s by pole			
Impulse current by pole	I <sub>imp</sub> 12.5 kA	12.5 kA	12.5 kA
max. withstand 10/350 $\mu$ s			
Total lightning current	I <sub>total</sub> 25 kA	25 kA	25 kA
max. total withstand @ 10/350 $\mu$ s			
Protection level CM/DM	U <sub>p</sub> 2.2/2.8 kV	4.7/5.4 kV	4.7/5.4 kV
@ I <sub>n</sub> (8/20 $\mu$ s) and @ 6kV (1.2/50 $\mu$ s)			
<b>Associated disconnectors</b>			
Thermal disconnector	internal		
Fuses	without		
<b>Mechanical characteristics</b>			
Dimensions	see diagram		
Connection to Network	screw terminals: 6-35mm <sup>2</sup>		
Disconnection indicator	1 mechanical indicator		
Remote signaling of disconnection output on changeover contact	250 Vac/0.5 A (AC) - 30 Vdc/3 A (DC)		
Mounting	Symmetrical rail 35 mm (EN60715)		
Operating temperature	-40/+85°C		
Protection rating	IP20		
Housing material	Thermoplastic UL94 V-0		
<b>Standards</b>			
Compliance	EN50539-11		
Certification	EAC	VDE / OVE / EAC	EAC
<b>Part number</b>			
	3963	3958	3956

\* ) CM = Common mode (+/PE or -/PE) - DM = Differential mode (+/-)



GSG: Specific gas tube  
 V: High energy MOV  
 MI: Disconnection indicator  
 Ft: Thermal fuse  
 t°: Thermal disconnection mechanism  
 C: Contact for remote signal