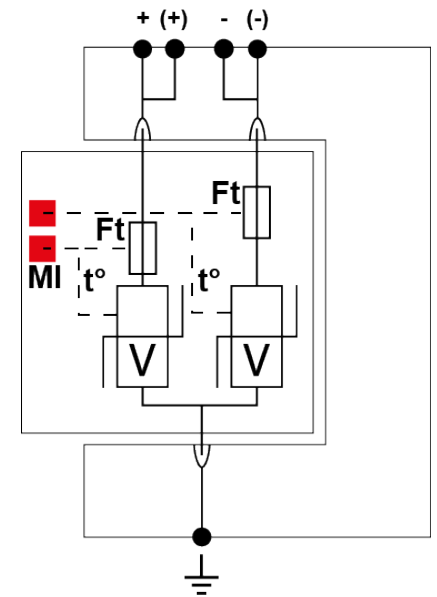
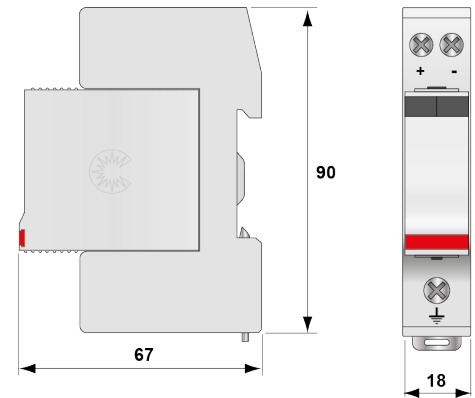


DS230-48DC



- DC or PV power surge protector
- 48 Vdc
- Compact design
- I_{max} : 30 kA
- Pluggable module
- Remote signaling (option)
- Very low Up protection level

Electrical Characteristics		
SPD type <i>following IEC test</i>		2
Network		DC or PV network 48Vdc
Nominal DC voltage	U_{n-dc}	48 Vdc
Nominal PV voltage	U_{ocstc}	48 Vdc
Max. AC operating voltage L-N	U_c	50 Vac
Max. PV operating voltage	U_{cpv}	65 Vdc
Max. DC operating voltage	U_c	65 Vdc
Max. load current	I_L	20 A
Residual Current <i>Leakage current to Ground</i>	I_{pe}	< 0.1 mA
Operating current <i>Continuous current at U_c</i>	I_c	< 0.1 mA
PV Permanent Operating current <i>Current consumption at U_{cpv}</i>	I_{cpv}	< 0.1 mA
Follow current	I_f	None
Nominal discharge current <i>15 x 8/20 μs impulses</i>	I_n	15 kA
Max. discharge current <i>max. withstand @ 8/20 μs by pole</i>	I_{max}	30 kA
Total Maximal discharge current <i>max. total withstand @ 8/20 μs</i>	I_{max} <i>Total</i>	60 kA
Current withstand short circuit PV	I_{scpv}	1000 A
Connection mode(s)		+/-/PE
Protection mode(s)		Common mode
Protection level <i>@ I_n (8/20μs)</i>	U_p	300 V
Protection level L/PE <i>@ I_n (8/20μs)</i>	U_p L/PE	300 V
Residual Voltage at 3 kA <i>@ 8/20μs</i>	U_p -3kA	230 V



V: High-energy varistor
 Ft: Thermal fuse
 t°: Thermal disconnection system
 MI: Disconnection indicator



CITEL

Mechanical Characteristics	
Technology	MOV
SPD configuration	2 poles
Connection to Network	By screw terminals: 1.5-10mm ² (active wires) and 2.5-25mm ² (ground)
Format	Plug-in modular box
Mounting	Symmetrical rail 35 mm (EN60715)
Housing material	Thermoplastic UL94-V0
Operating temperature	-40/+85°C
Protection rating	IP20
Failsafe behavior	disconnection from DC line
Disconnection indicator	2 mechanical indicators
Spare module(s)	DSM230-48DC
Remote signaling of disconnection	Option DS230S-48DC : output on changeover contact
Dimensions	See diagram
Disconnectors	
Thermal disconnector	internal
Fuses	Fuses type gG - 50 A
Standards	
Standards compliance	IEC 61643-11 / EN 61643-11 / UL1449 ed.4
Certification	UL
Part Number	390401