



DLC-12D3

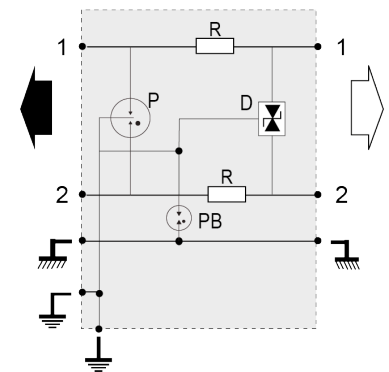
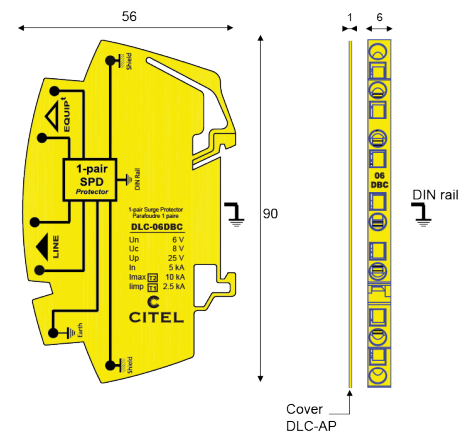
- For 'DIN' rail mounting
- All types of Telephone and Data lines
- Monobloc housing and very compact
- Protection of shield wire
- IEC 61643-21 compliance



Electrical Characteristics		
Network		RS232, RS485
Nominal line voltage	U_n	12 V
Max. DC operating voltage	U_c	15 V
Max. load current	I_L	300 mA
Max. frequency	f	> 3 MHz
Insertion loss		< 1 dB
Max. discharge current <i>max. withstand @ 8/20 μs by pole</i>	I_{max}	10 kA
Protection mode(s)		Common/Differential mode
Protection level <i>Following the test category C3 (IEC61643-21) - Line/Line</i>	U_p	30 V
Impulse current <i>2 x 10/350 μs Test - D1 Category</i>	I_{imp}	2.5 kA
Nominal discharge current <i>8/20 μs Test x 10 - C2 Category</i>	I_n	5 kA
Line resistance		< 4.7 Ohm

Mechanical Characteristics		
Technology		GDT+Clamping diode
SPD configuration		1-pair + shielded
Connection to Network		by spring - max. cross section 1.5 mm ²
Format		DIN box
Mounting		Symmetrical rail 35 mm (EN60715)
Housing material		Thermoplastic UL94-V0
Operating temperature		-40/+85°C
Protection rating		IP20
Failsafe behavior		Short-circuit - transmission cut-off - fault mode 2
Disconnection indicator		Transmission interrupt
Dimensions		See diagram

Standards		
Standards compliance		IEC 61643-21 / EN 61643-21 / UL497A
Certification		UL listed
Part Number		641102



P: 3-electrode gas tube
 PB: 2-electrode gas tube
 R: Resistor
 D: Clamping diode