

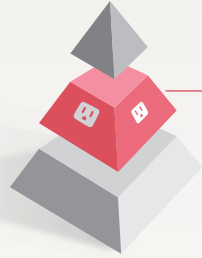


ALLTEC

DynaShield®

Surge Protection Device

ADSx(2F)-100-xxxx



Surge Protection
Part of THE ALLTEC
PROTECTION PYRAMID®

FEATURES

- UL 1449 4th Edition Type 1 & 2
- Thermally Protected MOV technology
- 100 kA Surge Current Rating
- 200 kAIC Fault Current Rating
- 10 Year Warranty

APPLICATIONS

For Critical Electronic Equipment located in:

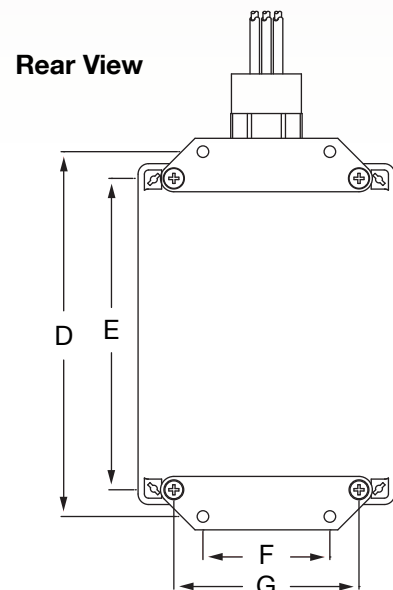
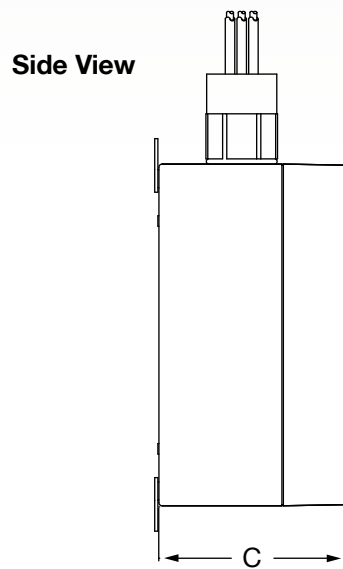
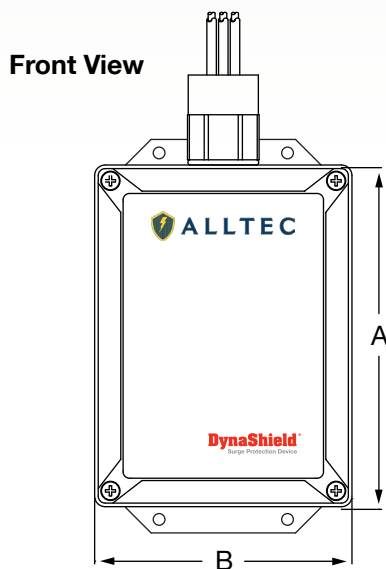
- Petro-Chemical, Oil & Gas
- Industrial Automation
- Data Centers
- Communication Sites

Product Description

The DynaShield® ADSx(2F)-100 Series of hardwired AC Surge Protection Devices (SPD) are fast responding, high current handling devices designed to protect sensitive electronic equipment and systems from damaging transient surge events. The SPDs are Listed to ANSI/UL 1449 4th Edition as Type 1 & 2 suppressor. A proprietary circuit design offers superior voltage protection levels at high surge currents to meet the most demanding protection requirements. Diagnostics include easy to see status LEDs and dry relay contacts for remote annunciation.

Dimensions

Case Size			Hole Positions			
A	B	C	D	E	F	G
162 mm (6.4 in.)	122 mm (4.8 in.)	89 mm (3.5 in.)	173 mm (6.8 in.)	148 mm (5.8 in.)	60.3 mm (2.4 in.)	89 mm (3.5 in.)



Surge Protection Device

ADSx(2F)-100-xxxx



Specifications

Model	ADSx(2F)-100
UL 1449 Location Type	Type 1 and Type 2
Connection Type	Parallel Connected
Agency Listings	UL 1449 4th Edition, UL 1283
Protection Modes	Line to Neutral, Line to Ground, Line to Line, Neutral to Ground
Operating Frequency Range	47 - 63 Hertz
Maximum Continuous Operating Voltage Range	115%
Maximum Surge Current Rating	100 kA per phase
Short Circuit Current Rating (SCCR)	200 kAIC
UL 1449 Nominal Discharge Current (In)	20 kA
50 ohm EMI/RFI Attenuation	63 dB max from 10kHz to 100MHz
Response Time	< 1 nanosecond
Status Indication	Status LEDs, Relay alarm contacts
Enclosure Protection Level	Polycarbonate NEMA 4X
Dimensions (H x W x D)	6.4" x 4.8" x 3.5"
Weight (Maximum)	5 lbs
Wire Connections	Stranded #10 AWG
Wire Lead Length	36 inch
Operating Temperature	-40 to +65 °C
Operating Humidity	Up to 95% non condensing
Altitude	Up to 18,000 feet

❖NOTE Alternate enclosure options available

Model Selection

Model Number	Service Voltage	MCOV	Voltage Protection Rating (VPR)			
			L-N	L-G	N-G	L-L
ADSx2F-100-120S	120 V Single Phase	180 Vac	900 V	800 V	700 V	N/A
ADSx2F-100-120T	120/240 V Split Phase	180 Vac	900 V	800 V	700 V	1500 V
ADSx2F-100-120W	120/208 V 3 Phase Wye	180 Vac	900 V	800 V	700 V	1500 V
ADSx2F-100-127W	127/220 V 3 Phase Wye	180 Vac	900 V	800 V	700 V	1500 V
ADSx2F-100-240S	240 V Single Phase	320 Vac	1500 V	1200 V	1200 V	N/A
ADSx2F-100-220W	220/380 V 3 Phase Wye	320 Vac	1500 V	1200 V	1200 V	2500 V
ADSx-100-240D	240 V 3 Phase Delta	320 Vac	N/A	800 V	N/A	1200 V
ADSx2F-100-240W	240/415 V 3 Phase Wye	320 Vac	1500 V	1200 V	1200 V	2500 V
ADSx2F-100-480W	277/480 V 3 Phase Wye	320 Vac	1500 V	1200 V	1200 V	2500 V
ADSx-100-480D	480 V 3 Phase Delta	550 Vac	N/A	1200 V	N/A	2500 V
ADSx2F-100-600W	347/600 V 3 Phase Wye	420 Vac	1500 V	1500 V	1500 V	2500 V
ADSx-100-600D	600 V 3 Phase Delta	690 Vac	N/A	1500 V	N/A	2500 V

** Delta configurations do not come with a filter, so the '2F' is dropped from the part number. **



WORLD HEADQUARTERS

64 Catalyst Drive, Canton, North Carolina 28716 USA

TEL: +1.828.646.9290

EMAIL: online-info@alltecglobal.com

ALLTEC has offices located across the world. Go to www.alltecglobal.com/contact to connect with your regional office.