



CITEL

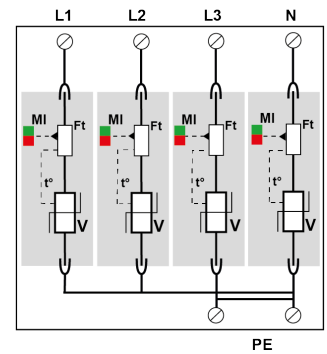
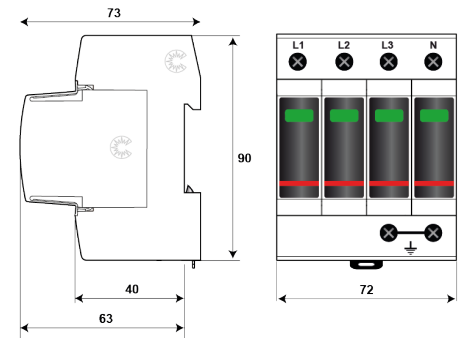


## DAC50-40-275

- Type 2 AC surge protector
- $I_n$  : 20 kA
- $I_{max}$  : 50 kA
- Pluggable module for each phase
- Remote signaling option
- NF EN 61643-11, IEC 61643-11 compliance



Electrical Characteristics		
SPD type		2
Network		230/400 V 3-phase+N
AC system		TNS
Max. AC operating voltage L-N	$U_c$	275 Vac
Temporary Over Voltage (TOV) Characteristics - 5 sec. <i>Without disconnection</i>	$U_T$	335 Vac withstand
Temporary Over Voltage (TOV) Characteristics - 120 mn <i>Without disconnection or with safety disconnection</i>	$U_T$	440 Vac disconnection
Residual Current <i>Leakage current to Ground</i>	$I_{pe}$	< 1 mA
Follow current	$I_f$	None
Nominal discharge current <i>15 x 8/20 <math>\mu</math>s impulses</i>	$I_n$	20 kA
Max. discharge current <i>max. withstand @ 8/20 <math>\mu</math>s by pole</i>	$I_{max}$	50 kA
Total Maximal discharge current <i>max. total withstand @ 8/20 <math>\mu</math>s</i>	$I_{max}$ <i>Total</i>	200 kA
Protection mode(s)		L/PE and N/PE
Protection level N/PE <i>@ <math>I_n</math> (8/20<math>\mu</math>s)</i>	$U_p$ N/PE	1.25 kV
Protection level L/PE <i>@ <math>I_n</math> (8/20<math>\mu</math>s)</i>	$U_p$ L/PE	1.25 kV
Protection level N/PE at 5 kA <i>@ 5 kA (8/20<math>\mu</math>s)</i>	$U_p$ -5kA	1 kV
Residual voltage L/PE at 5 kA <i>@ 5 kA (8/20<math>\mu</math>s)</i>	$U_p$ -5kA	1 kV
Admissible short-circuit current	$I_{sccr}$	50 000 A



V: High-energy varistor  
 Ft: Thermal fuse  
 t°: Thermal disconnection system  
 MI: Disconnection indicator



Mechanical Characteristics	
Technology	MOV
SPD configuration	3-phase+Neutral
Connection to Network	By screw terminals: 2.5-25 mm <sup>2</sup> (35 mm <sup>2</sup> rigid)
Format	Plug-in modular box
Mounting	Symmetrical rail 35 mm (EN60715)
Housing material	Thermoplastic UL94-V0
Operating temperature	-40/+85°C
Protection rating	IP20
Failsafe mode	Disconnection from AC network
Disconnection indicator	1 mechanical indicator by pole - Red/Green
Spare module(s)	MDAC50-275
Remote signaling of disconnection	option DAC50S-40-275 : output on changeover contact
Wiring for remote signaling	1.5 mm <sup>2</sup> max.
Maw. Voltage/Current for remote signaling	250 V / 0.5 A (AC) / 30 V / 3 A (DC)
Dimensions	See diagram - 4TE (EN43880)
Disconnectors	
Thermal disconnecter	Internal
Installation ground fault breaker	Type 'S' or delayed
Fuses	50 A mini. - 125 A max. - Fuses Type gG
Standards	
Standards compliance	IEC 61643-11 / EN 61643-11 / UL1449 4ed.
Certification	OVE
Part Number	
	821110214