



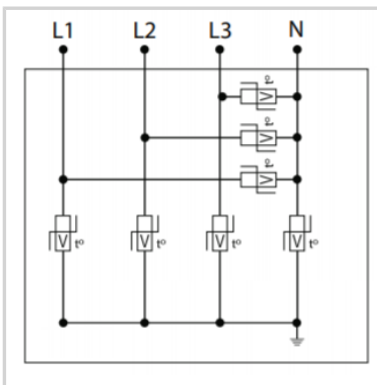
# CITEL

**- UL TYPE 1 LISTED - I<sub>max</sub> 192kA per phrase - I<sub>n</sub> 20kA - NEMA Enclosure**

## MS160-240Y



- Multi-TMOV Technology
- UL1449 Type 1 LISTED
- BABA-Build America-Buy America compliant
- 105-220kA Surge Current Rating
- Visual fault indicator, audible alarm and remote contacts
- 10-Year warranty



Electrical Characteristics	
POWER SPD TYPE	UL1449 TYPE 1 LISTED
VOLTS	(V) 240/415
AC/DC/DC PV/RF	AC
PHASE	(PH) 3Y
AMPS	(A) N/A
AMBIENT MIN	(C) -35
AMBIENT MAX	(C) +85
MODES	L-L, L-N, L-G, N-G
VPR	(V) 1800/1000/1200/1000
MCOV	(V) 640/320/320/320
I <sub>N</sub>	(kA) 20
15 impulses 8/20μs	
I <sub>MAX</sub>	(kA) 192
8/20μs	
Mechanical Characteristics	
TECHNOLOGY	Multi-TMOV
NETWORK CONFIGURATION	3PH, 4W+G, Wye
CONNECTION METHOD	36" #10 AWG LEADS
MOUNTING	FLANGE MOUNT
MATERIAL	Steel
NEMA RATING (IP RATING)	NEMA 3R,4, 12 (IP65)
FAIL-SAFE BEHAVIOR	Yes, no upstream over current protection required
REAL-TIME DIAGNOSTICS	% of protection present LED, audible alarm and remote contacts. Optional surge counter.
DIMENSIONS	See diagram
WEIGHT	6 lbs
Standards	
Environmental standards	EU RoHS
UL STANDARD	UL1449 5th Edition
UL CATEGORY	VZCA, VZCA7
UL FILE NUMBER	E326289
STANDARDS	NOM-003-SCFI-2014, NOM-001-SCFI-1993
BABA	Build America-Buy America Compliant
Part number	
<b>890165</b>	

