



CITEL

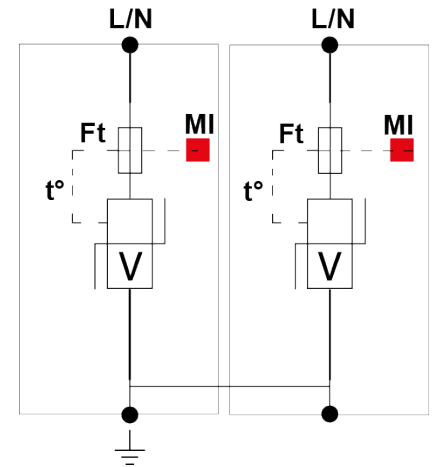
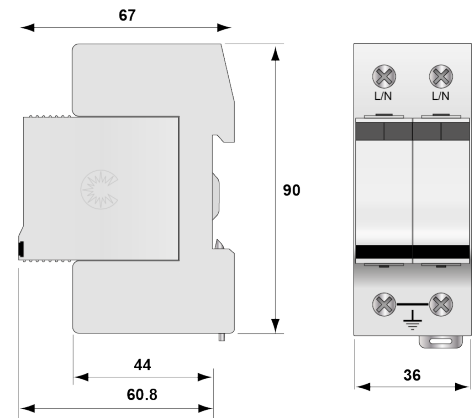


DS72R-400

- Re-inforced Type 2 AC Multipolar surge protector
- In: 30 kA
- I_{max} total: 140 kA
- Pluggable module by phase
- Remote signaling option
- IEC 61643-11, EN 61643-11 compliance
- UL1449 ed.4 approved



Electrical Characteristics		
SPD type <i>following IEC test</i>		2
Network		230 V single-phase
AC system		IT
Nominal line voltage	<i>U_n</i>	400 Vac
Max. AC operating voltage L-N	<i>U_c</i>	440 Vac
Temporary Over Voltage (TOV) Characteristics - 5 sec. <i>without disconnection</i>	<i>U_T</i>	580 Vac withstand
Temporary Over Voltage (TOV) Characteristics - 120 mn <i>without disconnection or with safety disconnection</i>	<i>U_T</i>	770 Vac disconnection
Residual Current <i>Leakage current to Ground</i>	<i>I_{pe}</i>	< 2 mA
Operating current <i>Continuous current at U_c</i>	<i>I_c</i>	< 1 mA
Follow current	<i>I_f</i>	None
Nominal discharge current <i>15 x 8/20 μs impulses</i>	<i>I_n</i>	30 kA
Max. discharge current <i>max. withstand @ 8/20 μs by pole</i>	<i>I_{max}</i>	70 kA
Total Maximal discharge current <i>max. total withstand @ 8/20 μs</i>	<i>I_{max Total}</i>	140 kA
Admissible short-circuit current	<i>I_{sccr}</i>	25000 A
Connection mode(s)		L/PE and N/PE
Protection mode(s)		Common mode
Protection level L/PE <i>@ I_n (8/20 μs)</i>	<i>U_{p L/PE}</i>	1.8 kV
Protection level N/PE <i>@ I_n (8/20 μs)</i>	<i>U_{p N/PE}</i>	1.8 kV
Residual voltage at 10 kA <i>@ 8/20 μs</i>	<i>U_{p-10kA}</i>	1.4 kV
Residual voltage at 5 kA <i>@ 5 kA (8/20 μs)</i>	<i>U_{p-5kA}</i>	1.2 kV
Internal short circuit protection		No
Internal Thermal protection		Yes



V: High-energy varistor
 Ft: Thermal fuse
 t°: Thermal disconnection system
 MI: Disconnection indicator



CITEL

Mechanical Characteristics	
Technology	MOV
SPD configuration	Single phase
Connection to Network	By screw terminals: 2.5-25 mm ² / by bus
Format	Plug-in modular box
Mounting	Symmetrical rail 35 mm (EN60715)
Housing material	Thermoplastic UL94-V0
Operating temperature	-40/+85°C
Protection rating	IP20
Failsafe behavior	Disconnection
Disconnection indicator	2 mechanical indicators by pole
Spare module(s)	DSM70R-400
Remote signaling of disconnection	option DS72RS-400 : output on changeover contact
Dimensions	See diagram
Disconnectors	
Thermal disconnecter	Internal
Installation ground fault breaker	Type 'S' or delayed
Fuses	Fuses Type gG - 100 A
Standards	
Standards compliance	IEC 61643-11 / EN 61643-11 / UL1449 4ed.
Certification	UL / CSA /EAC
Part Number	491401