



CITEL

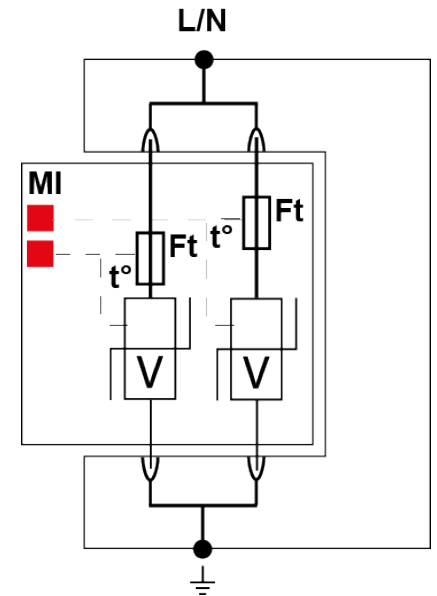
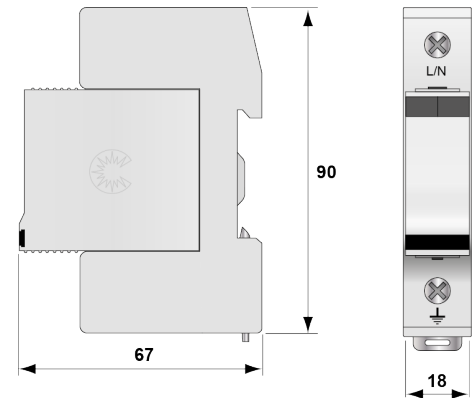


## DS71R-230

- Re-inforced Type 2 AC surge protector
- $I_n$  : 30 kA
- $I_{max}$  : 70 kA
- Pluggable module by phase
- Remote signaling option
- IEC 61643-11, EN 61643-11 compliance
- UL1449 ed.3 approved



Electrical Characteristics		
SPD type <i>following IEC test</i>		2
Network		230/400 V
Nominal line voltage	$U_n$	230 Vac
Max. AC operating voltage L-N	$U_c$	255 Vac
Temporary Over Voltage (TOV) Characteristics - 5 sec. <i>without disconnection</i>	$U_T$	335 Vac withstand
Temporary Over Voltage (TOV) Characteristics - 120 mn <i>without disconnection or with safety disconnection</i>	$U_T$	440 Vac disconnection
Residual Current <i>Leakage current to Ground</i>	$I_{pe}$	< 1 mA
Operating current <i>Continuous current at <math>U_c</math></i>	$I_c$	< 1 mA
Follow current	$I_f$	None
Nominal discharge current <i>15 x 8/20 <math>\mu</math>s impulses</i>	$I_n$	30 kA
Max. discharge current <i>max. withstand @ 8/20 <math>\mu</math>s by pole</i>	$I_{max}$	70 kA
Total Maximal discharge current <i>max. total withstand @ 8/20 <math>\mu</math>s</i>	$I_{max}$ Total	70 kA
Admissible short-circuit current	$I_{sc}$	25000 A
Connection mode(s)		L/N or N/PE
Protection mode(s)		Common Mode or Differential Mode
Protection level <i>@ <math>I_n</math> (8/20<math>\mu</math>s)</i>	$U_p$	1.4 kV
Residual voltage at 10 kA <i>@ 8/20<math>\mu</math>s</i>	$U_p-10kA$	1 kV
Residual voltage at 5 kA <i>@ 5 kA (8/20<math>\mu</math>s)</i>	$U_p-5kA$	0.9 kV
Internal short circuit protection		No
Internal Thermal protection		Yes



V: High-energy varistor  
 Ft: Thermal fuse  
 t°: Thermal disconnection system  
 MI: Disconnection indicator



CITEL

Mechanical Characteristics	
Technology	MOV
SPD configuration	1-pole
Connection to Network	By screw terminals: 2.5-25 mm <sup>2</sup> / by bus
Format	Plug-in modular box
Mounting	Symmetrical rail 35 mm (EN60715)
Housing material	Thermoplastic UL94-V0
Operating temperature	-40/+85°C
Protection rating	IP20
Failsafe behavior	Disconnection
Disconnection indicator	2 mechanical indicators by pole
Spare module(s)	DSM70R-230
Remote signaling of disconnection	option DS71RS-230 :output on changeover contact
Dimensions	See diagram
Disconnectors	
Thermal disconnecter	Internal
Installation ground fault breaker	Type 'S' or delayed
Fuses	Fuses Type gG - 100 A
Standards	
Standards compliance	IEC 61643-11 / EN 61643-11 / UL1449 4ed.
Certification	UL / CSA /EAC
Part Number	3214011