



CITEL

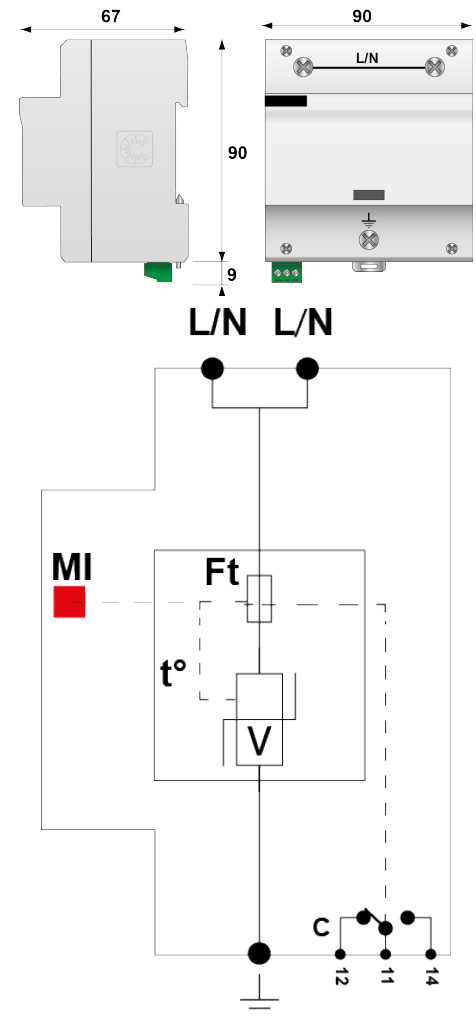


DS500E-400



- Type 1+2 unipolar AC surge protector
- I_{imp} : 50 kA on 10/350 μ s impulse
- I_{max} : 200 kA on 8/20 μ s impulse
- Internal disconnections, status indicator and remote signaling
- IEC 61643-11 and EN 61643-11

Electrical Characteristics		
SPD type <i>following IEC test</i>		1+2
Network		230/400 V
Nominal line voltage	U_n	230 Vac
Max. AC operating voltage L-N	U_c	440 Vac
Temporary Over Voltage (TOV) Characteristics - 5 sec. <i>without disconnection</i>	U_T	580 Vac withstand
Temporary Over Voltage (TOV) Characteristics - 120 mn <i>without disconnection or with safety disconnection</i>	U_T	770 Vac disconnection
Operating current <i>Continuous current at U_c</i>	I_c	< 3 mA
Follow current	I_f	None
Nominal discharge current <i>15 x 8/20 μs impulses</i>	I_n	50 kA
Max. discharge current <i>max. withstand @ 8/20 μs by pole</i>	I_{max}	200 kA
Impulse current by pole <i>max. withstand 10/350μs by pole</i>	I_{imp}	50 kA
Admissible short-circuit current	I_{sc}	50000 A
Connection mode(s)		L/N and L/PE
Protection level <i>@ I_n (8/20μs)</i>	U_p	2.2 kV
Specific energy by pole <i>max. withstand 10/350 μs</i>	W/R	625 kJ/ohm
Internal short circuit protection		No
Internal Thermal protection		Yes
Mechanical Characteristics		
Technology		MOV
Connection to Network		By screw terminals : 6-35 mm ²
Format		1-pole modular box
Mounting		Symmetrical rail 35 mm (EN60715)
Housing material		Thermoplastic UL94-V0
Operating temperature		-40/+85°C
Protection rating		IP20
Failsafe behavior		Disconnection
Disconnection indicator		1 mechanical indicator
Remote signaling of disconnection		Output on changeover contact
Dimensions		See diagram
Disconnectors		
Thermal disconnector		Internal
Installation ground fault breaker		Type 'S' or delayed
Fuses		Fuses Type gG - 500 A



V: High-energy varistor
 Ft: Thermal fuse
 C: Remote signal contact
 t°: Thermal disconnection system
 MI: Disconnection indicator



CITEL

Standards		
Standards compliance		IEC 61643-11 / EN 61643-11
Certification		EAC
Part Number		3964