



Coordination Inductors

DSH

A42



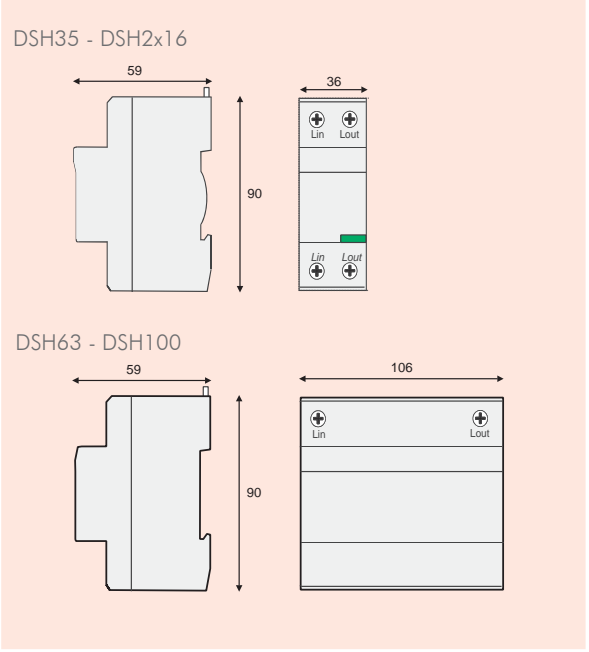
These coordination inductors are specially designed to control the implementation of the primary and secondary levels of DS surge protectors.

They are necessary where the coordination cannot be accomplished using the «natural» inductance of the active conductors (in particular in a small volume, where the length of line wire between primary SPD and secondary SPD is lower than 10 m).

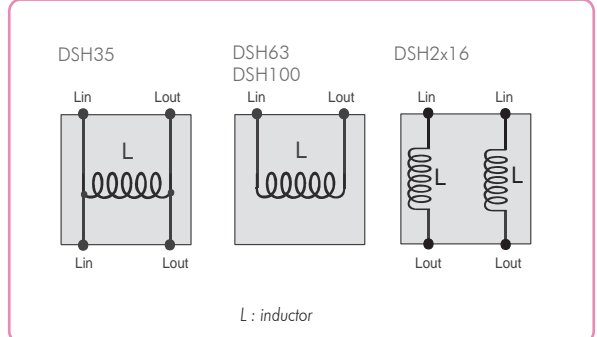
DSH inductors are DIN rail compatible and are connected in series on the line to be protected and depend on the maximum line current.

Several current values are available: 16A, 35A, 63A and 100 A.

Dimensions (in mm)



Electrical diagram



- Coordination inductors for Surge Protectors
- For use with the DS series
- 35A, 63A, 100A and 2 x 16A versions

Characteristics

| CITEL part number | DSH100 | DSH63 | DSH35 | DSH2x16 |
|---------------------------------------|---|-------------------------------------|-------------------------------------|-----------------------------------|
| Type | inductor | inductor | inductor | double inductor |
| Connexion mode | 1 DSH in series on each active wire | 1 DSH in series on each active wire | 1 DSH in series on each active wire | 1 DSH in series on 2 active wires |
| Max. operating voltage U _c | 500 Vac | 500 Vac | 500 Vac | 500 Vac |
| Max. line current I _L | 100 A | 63 A | 35 A | 2 x 16 A |
| Line inductance | 15 μH | 15 μH | 15 μH | 2 x 15 μH |
| Mechanical characteristics | | | | |
| Dimensions | see diagram | | | |
| Connection | - by screw terminals : 6-35 mm ² (DSH2x16 and DSH35), 4-50 mm ² (DSH63 and DSH100) - by bus (DSH2x16 et DSH35) | | | |
| Mounting | symmetrical rail 35 mm | | | |
| Operating temperature | -40/+85 °C | | | |
| Protection class | IP20 | | | |
| Housing material | Thermoplastic UL94-V0 and UL94-5VA (DSH35-DSH2x16) | | | |