

Lightning Strike Counter

Monitoring Lightning Strikes assists in determining the need for additional security such as grounding, surge suppression and lightning protection.

No Maintenance

Requiring no external power supply or internal battery for operation.

Easy to Install

Uses a 2-wire connection to any metal conductor for lightning voltage detection, conductor dimensions are unimportant.

Easy to Monitor

Easily viewable from the front, and counts up to 999,999 events.

Weather Resistant

Includes a NEMA 4X/IP66, UV stabilized polycarbonate enclosure with surface mount flanges, UL94V-0 flame rated and suitable for either indoor or outdoor installation.



**ARE YOU PROTECTED? WE CAN HELP!
CONTACT US TODAY!**



+1.828.646.9290
+1.800.203.2658
(U.S. & Canada Toll Free)



www.allteccorp.com



help@allteccorp.com



64 Catalyst Drive
Canton, North Carolina 28716 USA
Tel: +1.828.646.9290
+1.800.203.2658 (US and Canada Toll Free)
Fax: +1.828.646.9527

For more information on Alltec's Lightning Strike Counter,
visit www.allteccorp.com/lsc.php

Installation

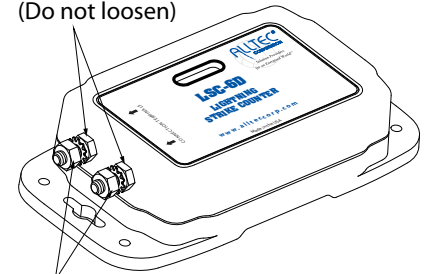
The LSC-6D stud connections should be electrically attached to the tower using 14 AWG (2.5mm²) insulated wire and be separated by approximately 8.0 ft (2.4m). The inductive voltage drop due to a lightning strike will actuate the counter. A log should be kept to record the date and counter reading. To test your counter, voltage may be momentarily applied using a 9V battery in either polarity to actuate the stud connection circuit.

The LSC-6D requires a 0.5 μ H inductance shunt (approximately 8.0 ft conductor length) to count nature's smallest lightning strike (3 kA). This inductance can be in the form of a wire length, tower, or pipe segment. To calculate, use the following approximations:

- 0.3 μ H per foot per wire
- 0.067 μ H per foot for triangular tower leg
- 0.150 μ H per foot for \geq 6" pipe

The LSC-6D conductors must be in direct contact with the metallic wire or structure being monitored. Clean, sand, or pierce as required.

Sealing nuts adjacent to enclosure
(Do not loosen)



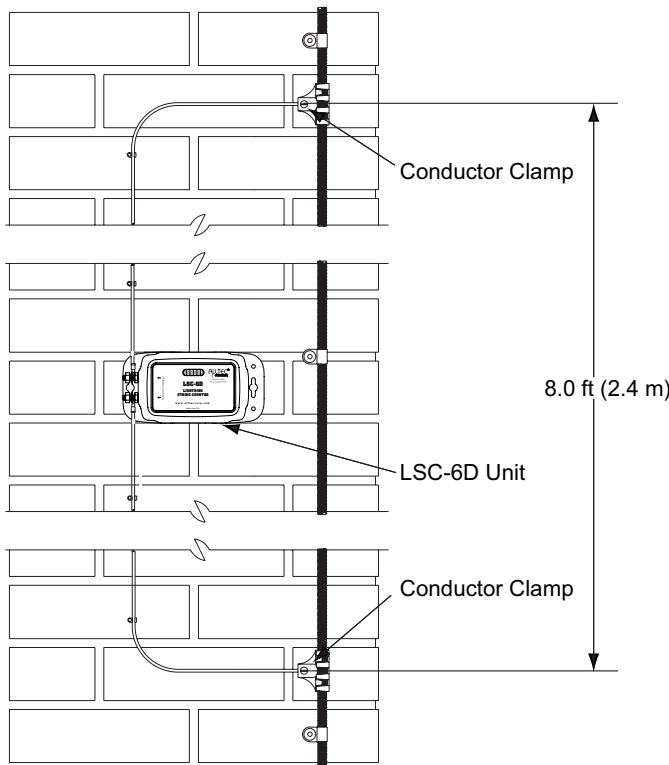
Installation nuts & lock washers

NOTE: No user serviceable parts inside.
Do not loosen sealing nuts.

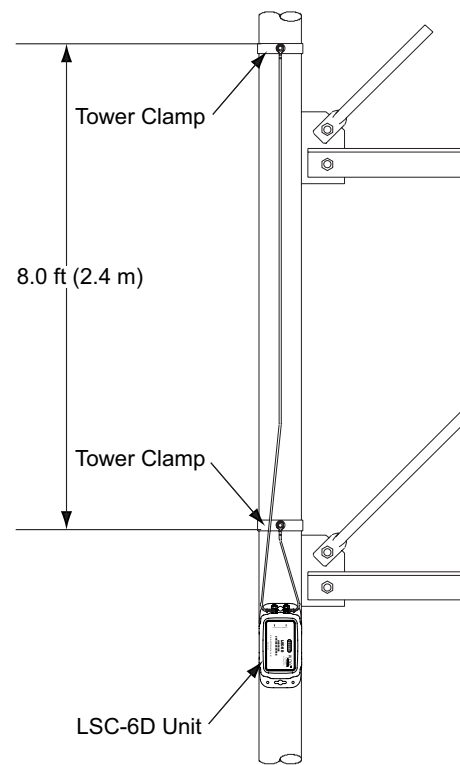
Size

Width 5.5" X Height 3.5" X Depth 1.5"
(W139.7mm X H88.9mm X D38.1mm)

Building Model



Tower Model



WORLD HEADQUARTERS

64 Catalyst Drive,
Canton, North Carolina 28716 USA
Tel: +1.828.646.9290
Fax: +1.828.646.9527
Email: sales@allteccorp.com



ALLTEC SOUTH ASIA REGIONAL HEADQUARTERS

No 4-1A, Jalan Medan Bukit Indah 3, Taman Bukit Indah 68000
Ampang, Selangor Malaysia
Tel: +603.4294.0187
Fax: +603.4217.1187
Email: info@alltec.com.my
www.alltec.com.my



INDIA BRANCH OFFICE

India Branch Office, 613-A, Ansal Chamber-II, Bhikaji Cama Place,
New Delhi-110066 India
Tel: +91.93.111.40899
Email: india@allteccorp.com

**For more information, contact your nearest office
or visit www.allteccorp.com**