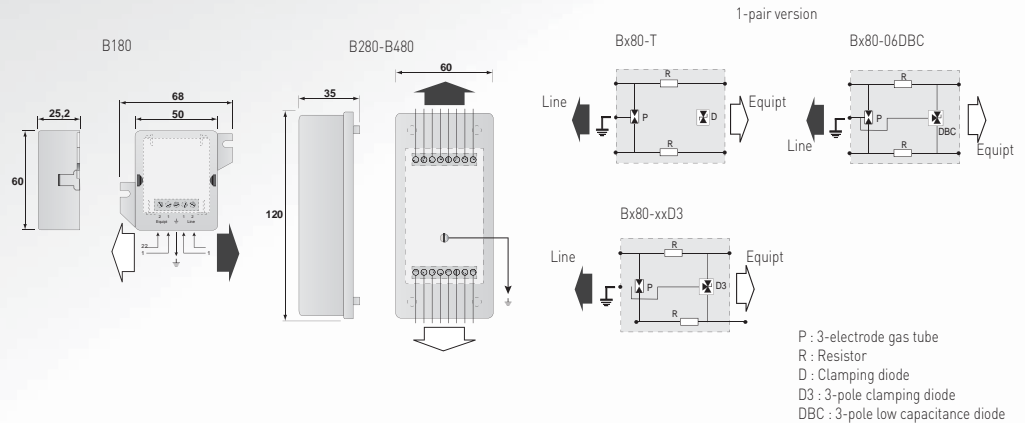
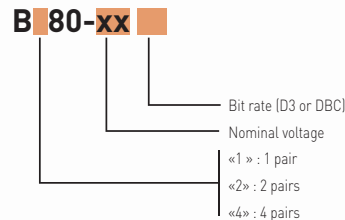


1, 2 and 4-pair Surge Protectors B180, B280, B480 series



- 1 to 4-pair surge protection units
- All types of telephone and data lines
- Removable protection circuit
- Wall mounting and screw connection
- IEC 61643-21 compliance
- UL497 A



Characteristics

CITEL Model	B180-T		B180-48D3		B180-48DBC		B180-24D3		B180-12D3		B180-06D3		-
	B280-T	B480-T	B280-48D3	B480-48D3	B280-48DBC	B480-48DBC	B280-24D3	B480-24D3	B280-12D3	B480-12D3	B280-06D3	B480-06D3	B280-06DBC
Description	Telecom surge protector box - 1, 2 or 4 pairs		Dateline surge protector box - 1, 2 or 4 pairs										
Network	Telephone line, ADSL, SDSL, SHDSL		ISDN-T0, 48 V line	RNIS-T0, 48 V line	LS, 4-20 mA	RS232, RS485	RS422	MIC/T2, 10BaseT					
SPD configuration	B180	1 pair	1 pair	1 pair	1 pair	1 pair	1 pair	1 pair	1 pair	1 pair	1 pair	-	
	B280	2 pairs	2 pairs	2 pairs	2 pairs	2 pairs	2 pairs	2 pairs	2 pairs	2 pairs	2 pairs	2 pairs	2 pairs
	B480	4 pairs	4 pairs	4 pairs	4 pairs	4 pairs	4 pairs	4 pairs	4 pairs	4 pairs	4 pairs	4 pairs	4 pairs
Nominal line voltage	Un	150 V	48 V	48 V	24 V	12 V	6 V	6 V	6 V	6 V	6 V	6 V	6 V
Max. DC operating voltage	Uc	170 V	53 V	53 V	28 V	15 V	8 V	8 V	8 V	8 V	8 V	8 V	8 V
Max. Load current	IL	300 mA	300 mA	300 mA	300 mA	300 mA	300 mA	300 mA	300 mA	300 mA	300 mA	300 mA	300 mA
Max. frequency	f max	> 10 MHz	> 3 MHz	> 20 MHz	> 3 MHz	> 3 MHz	> 3 MHz	> 3 MHz	> 3 MHz	> 3 MHz	> 3 MHz	> 20 MHz	> 20 MHz
Insertion loss		< 1 dB	< 1 dB	< 1 dB	< 1 dB	< 1 dB	< 1 dB	< 1 dB	< 1 dB	< 1 dB	< 1 dB	< 1 dB	< 1 dB
Nominal discharge current <i>8/20µs Test x 10 - C2 Category</i>	In	5 kA	5 kA	5 kA	5 kA	5 kA	5 kA	5 kA	5 kA	5 kA	5 kA	5 kA	5 kA
Max. discharge current <i>max. withstand @ 8/20 µs by pole</i>	Imax	20 kA	20 kA	20 kA	20 kA	20 kA	20 kA	20 kA	20 kA	20 kA	20 kA	20 kA	20 kA
Impulse current <i>2 x 10/350µs Test - D1 Category</i>	Iimp	2.5 kA	2.5 kA	2.5 kA	2.5 kA	2.5 kA	2.5 kA	2.5 kA	2.5 kA	2.5 kA	2.5 kA	2.5 kA	2.5 kA
Protection level	Up	220 V	70 V	75 V	40 V	30 V	20 V	25 V	25 V	25 V	25 V	25 V	25 V
Failsafe behavior		Short-circuit	Short-circuit	Short-circuit	Short-circuit	Short-circuit	Short-circuit	Short-circuit	Short-circuit	Short-circuit	Short-circuit	Short-circuit	Short-circuit
Mechanical characteristics													
Dimensions	see diagram												
Format	wall mounting box												
Disconnection indicator	transmission interrupt												
Mounting	wall (screws non included)												
Operating temperature	-40/+85°C												
Protection rating	IP20												
Housing material	Thermoplastic UL94-V0												
Spare unit	S180-T	S180-48D3	S180-48DBC	S180-24D3	S180-12D3	S180-06D3	-						
Spare unit	S280-T	S280-48D3	S280-48DBC	S280-24D3	S280-12D3	S280-06D3	S280-06DBC						
Spare unit	S480-T	S480-48D3	S480-48DBC	S480-24D3	S280-12D3	S480-06D3	S480-06DBC						
Standards compliance	IEC 61643-21 / EN 61643-21 / UL497A												
Certification	UL listed												
Part number													
B180 range	510602	510402	510412	510302	510202	510102	-						
B280 range	72726	72774	72754	72773	72772	72771	72751						
B480 range	72746	72794	72800	72793	72772	72791	72798						