

# Type 2 AC Surge Protector DS70R series

**Imax  
70 kA**

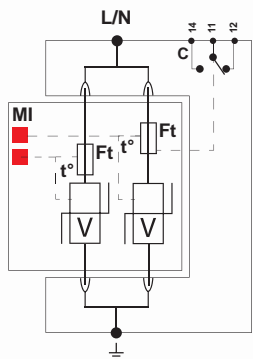
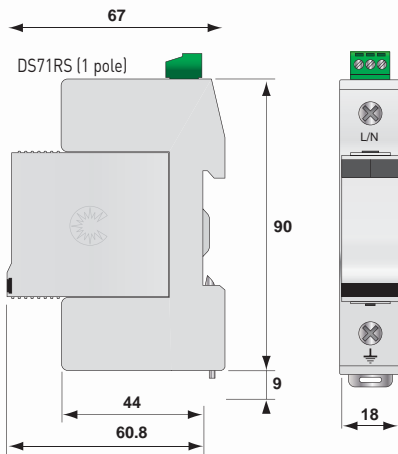


DS71R-400

- **Re-inforced Type 2 Surge Protector**
- **In : 30 kA**
- **Imax : 70 kA**
- **Pluggable module by phase**
- **Remote Signaling option**
- **IEC 61643-11 and EN 61643-11 compliance**
- **UL1449 ed.3**

## Dimensions - Electrical diagram

(in mm)



V : High energy varistor  
Ft : Thermal Fuse  
C : Remote signaling contact  
t : Thermal disconnection system

## Characteristics

CITEL part number		DS71R-400	DS71R-230	DS71R-120
Network		230/400V	230/400V	120/208V
Max. operating voltage	Uc	440 Vac	255 Vac	150 Vac
Temporary overvoltage withstand	Ur	770 Vac	440 Vac	230 Vac
Operating current	Ic	< 1 mA	< 1 mA	< 1 mA
Leakage current at Uc				
Follow current	If	none	none	none
Nominal discharge current	In	30 kA	30 kA	30 kA
15 x 8/20 µs impulses				
Maximum discharge current	Imax	70 kA	70 kA	70 kA
max. withstand 8/20 µs				
Protection level (at In)	Up	1.8 kV	1.4 kV	1 kV
Residual voltage at 10 kA		1.4 kV	1 kV	0.7 kV
Residual voltage at 5 kA		1.2 kV	0.9 kV	0.6 kV
Admissible short-circuit current		25000 A	25000 A	25000 A
<b>Associated disconnection devices</b>				
Thermal disconnector		internal		
Fuses		Fuses type gG - 100 A max. (see Note 1)		
Installation ground fault breaker		Type «S» or delayed		
<b>Mechanical characteristics</b>				
Dimensions		see diagram		
Connection		by screw terminals : 4-25 mm <sup>2</sup> / by bus		
Disconnection indicator		2 mechanical indicators by pole		
Remote signaling of disconnection		Option DS70RS - output on changeover contact		
Mounting		symmetrical rail 35 mm		
Operating temperature		-40/+85 °C		
Protection class		IP20		
Housing material		Thermoplastic UL94-V0		
<b>Standards compliance</b>				
EN 61643-11	Europe	Low Voltage SPD - Class II Test		
IEC 61643-11	International	Low Voltage SPD - Class II Test		
NF EN 61643-11	France	Parafoudre Basse Tension - Essais Classe II		
UL1449 ed.3	USA	Low Voltage TVSS		
<b>Part number</b>				
DS71R-400		321401		
DS71R-230		3214011		
DS71R-120		321601		

**Note 1:** Rating in compliance with NF C15-100 art.534.1.3.5. In order to increase service continuity, higher rating can be used (up to 160 A). For further information, please consult product instructions.

