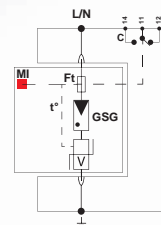
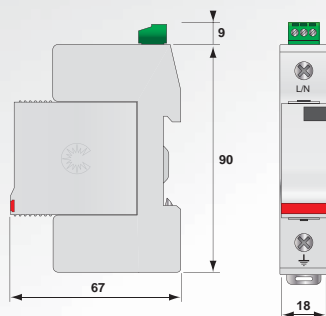


# Type 2 + 3 Surge Protector DS40VG series

**Imax  
40 kA**



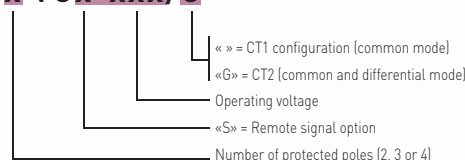
DS41VG-120



GSG: Specific GDT  
V: Varistor  
Ft: Thermal fuse  
C: Remote signaling contact  
t°: Disconnection system  
MI: Mechanical indicator

- Type 2 + 3 surge protector
- In 20 kA / Imax 40 kA
- Pluggable module
- Follow and operating current : none
- No ageing
- Optional remote signaling state
- Optimized to TOV
- EN 61643-11, IEC 61643-11 and UL 1449 ed.4 compliance

## DS4x VGx-xxx/G



## Characteristics

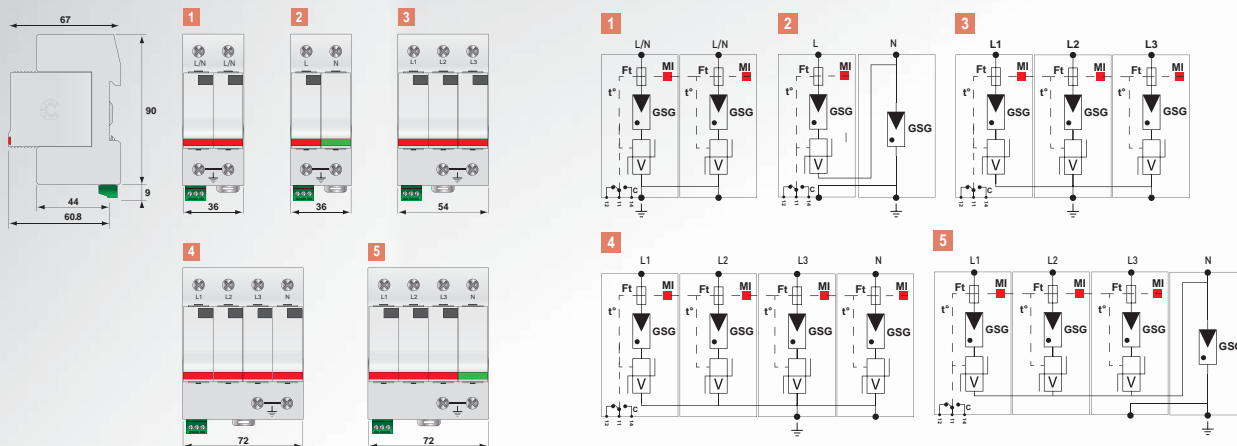
| CITEL Model   | DS41VG-230  | DS41VG-120  |
|---|---|---|
| Description   | Type 2+3 AC surge protector - one-phase - pluggable           | Type 2+3 AC surge protector - one-phase - pluggable           |
| Network   | 230/400 V   | 120/208V  |
| Connection mode   | L/N or N/PE   | L/N or N/PE   |
| Max. AC operating voltage                                 | Uc 255 Vac  | 150 Vac   |
| Temporary Over Voltage (TOV) Characteristics - 5 sec.     | UT 335 Vac withstand  | 180 Vac withstand   |
| Temporary Over Voltage (TOV) Characteristics - 120 mn     | UT 440 Vac withstand  | 230 Vac withstand   |
| Residual current - Leakage current at Uc                  | Ipe None  | None  |
| Follow current  | If None   | None  |
| Nominal discharge current - 15 x 8/20 μs impulses         | In 20 kA  | 20 kA   |
| Max. discharge current - max. withstand @ 8/20 μs by pole | Imax 40 kA  | 40 kA   |
| Withstand on Combination waveform - Class III test        | Uoc 6 kV  | 6 kV  |
| Protection level @ In                                     | Up-in 0.8 kV  | 0.6 kV  |
| Protection level  | Up 1.25 kV  | 1.25 kV   |
| Admissible short-circuit current                          | Iscrr 25000 A   | 25000 A   |
| <b>Associated disconnectors</b>                           |   |   |
| Thermal disconnector                                      | internal  |   |
| Fuses   | Fuses Type gG - 50 A  |   |
| Installation ground fault breaker                         | Type "S" or delayed   |   |
| <b>Mechanical characteristics</b>                         |   |   |
| Dimensions  | see diagram   |   |
| Connection to Network                                     | By screw terminals: 2.5-25 mm <sup>2</sup> / by bus           |   |
| Disconnection indicator                                   | 1 mechanical indicator  |   |
| Remote signaling of disconnection                         | option DS41VGS-230 : output on changeover contact DSM40VG-230 | option DS41VGS-120 : output on changeover contact DSM40VG-120 |
| Spare unit  |   |   |
| Mounting  | Symmetrical rail 35 mm (EN60715)                              |   |
| Operating temperature                                     | -40/+85°C   |   |
| Protection rating   | IP20  |   |
| Housing material  | Thermoplastic UL94-V0   |   |
| Standards compliance                                      | IEC 61643-11 / EN 61643-11 / NF EN 61643-11 / UL1449 ed.4     |   |
| Certification   | GOST  |   |
| Part number   | 331751  | 331651  |

Note 1: Rating in compliance with NF C15-100 art.534.1.3.5.

In order to increase service continuity, higher rating can be used. For further information, please consult product instructions.



# Type 2 + 3 AC Multipolar Surge Protector DS42VG, DS43VG, DS44VG



GSG: Specific GDT  
V: Varistor  
Ft: Thermal fuse  
C: Remote signaling contact  
t°: Disconnection system  
Mi: Mechanical indicator



DS44VG-230/G



| Model        | P/N    | Network             | AC system | Protection Mode | I <sub>total</sub> | Up L/PE | Up L/N  | Up N/PE | Diagram |
|--------------|--------|---------------------|-----------|-----------------|--------------------|---------|---------|---------|---------|
| DS44VG-230/G | 461562 | 230/400 V 3-phase+N | TT-TNS    | L/N and N/PE    | 100 kA             | -       | 1.25 kV | 1.5 kV  | 5       |
| DS44VG-120/G | 461662 | 120/208 V 3-phase+N | TT-TNS    | L/N and N/PE    | 100 kA             | -       | 1.25 kV | 1.5 kV  |         |
| DS44VG-230   | 461552 | 230/400 V 3-phase+N | TNS       | L/PE and N/PE   | 160 kA             | 1.25 kV | -       | 1.25 kV | 4       |
| DS44VG-120   | 461652 | 120/208 V 3-phase+N | TNS       | L/PE and N/PE   | 160 kA             | 1.25 kV | -       | 1.25 kV |         |
| DS43VG-230   | 461553 | 230/400V 3-phase    | TNC       | L/PE            | 120 kA             | 1.25 kV | -       | -       | 3       |
| DS43VG-120   | 461653 | 120/208V 3-phase    | TNC       | L/PE            | 120 kA             | 1.25 kV | -       | -       |         |
| DS42-230/G   | 461511 | 230 V single phase  | TT-TN     | L/N and N/PE    | 40 kA              | -       | 1.25 kV | 1.5 kV  | 2       |
| DS42VG-120/G | 461661 | 120V single phase   | TT-TN     | L/N and N/PE    | 80 kA              | -       | 1.25 kV | 1.5 kV  |         |
| DS42VG-230   | 461551 | 230V single phase   | TN        | L/PE and N/PE   | 80 kA              | 1.25 kV | -       | 1.25 kV | 1       |
| DS42VG-120   | 461651 | 120V single phase   | TN        | L/PE and N/PE   | 80 kA              | 1.25 kV | -       | 1.25 kV |         |