

Type 2 AC Surge Protector DS40 series

**Imax
40 kA**

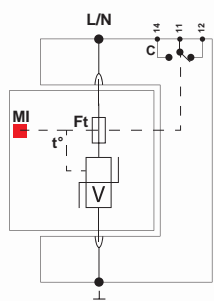
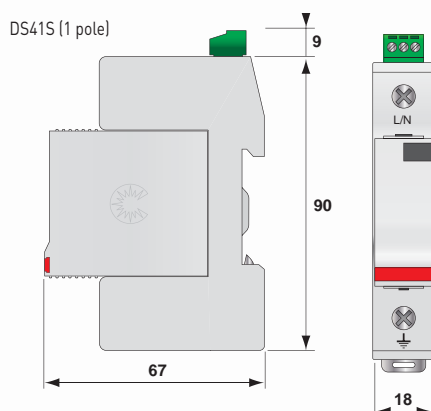


DS41-230

- **Type 2 AC Surge Protector**
- **In : 20 kA**
- **Imax : 40 kA**
- **Pluggable module for each phase**
- **Remote signaling option**
- **IEC 61643-11 and EN 61643-11 compliance**

Dimensions - Electrical diagram

(in mm)



V: High-energy varistor
Ft: Thermal fuse
C: Remote signaling contact
t°: Thermal disconnection system
Mi: Disconnection indicator

Characteristics

| CITEL part number | | DS41-400 | DS41-320 | DS41-280 | DS41-230 | DS41-120 |
|---|---------------|--|-----------|-----------|----------|----------|
| Network | | 230/400V | 230/400 V | 230/400 V | 230/400V | 120/208V |
| Max. operating voltage | Uc | 440 Vac | 320 Vac | 280 Vac | 255 Vac | 150 Vac |
| Temporary overvoltage withstand | UT | 770 Vac | 440 Vac | 440 Vac | 440 Vac | 230 Vac |
| Operating current | Ic | < 1 mA | < 1 mA | < 1 mA | < 1 mA | < 1 mA |
| Leakage current at Uc | | | | | | |
| Follow current | If | none | none | none | none | none |
| Nominal discharge current | In | 20 kA | 20 kA | 20 kA | 20 kA | 20 kA |
| 15 x 8/20 µs impulse | | | | | | |
| Maximum discharge current | Imax | 40 kA | 40 kA | 40 kA | 40 kA | 40 kA |
| max. withstand 8/20 µs | | | | | | |
| Protection level (at In) | Up | 1.8 kV | 1.5 kV | 1.3 kV | 1.25 kV | 0.9 kV |
| Residual voltage at 10 kA | | 1.5 kV | 1.3 kV | 1.2 kV | 1.1 kV | 0.7 kV |
| Residual voltage at 5 kA | | 1.3 kV | 1.2 kV | 1 kV | 0.9 kV | 0.6 kV |
| Admissible short-circuit current | Iscrr | 25000 A | 25000 A | 25000 A | 25000 A | 25000 A |
| Associated disconnection devices | | | | | | |
| Thermal disconnector | | internal | | | | |
| Fuses | | Fuses type gG - 50 A max. (see Note 1) | | | | |
| Installation ground fault breaker | | Type «S» or delayed | | | | |
| Mechanical characteristics | | | | | | |
| Dimensions | | see diagram | | | | |
| Connection | | by screw terminals : 4-25 mm ² / by bus | | | | |
| Disconnection indicator | | 1 mechanical indicator | | | | |
| Remote signaling of disconnection | | Option DS40S - output on changeover contact | | | | |
| Mounting | | symmetrical rail 35 mm | | | | |
| Operating temperature | | -40/+85 °C | | | | |
| Protection class | | IP20 | | | | |
| Housing material | | Thermoplastic UL94-V0 | | | | |
| Standards compliance | | | | | | |
| EN 61643-11 | Europe | Low Voltage SPD - Class II Test | | | | |
| IEC 61643-11 | International | Low Voltage SPD - Class II Test | | | | |
| NF EN 61643-11 | France | Parafoudre Basse Tension - Essais Classe II | | | | |
| UL1449 ed.3 | USA | Low Voltage TVSS | | | | |
| Part Number | | | | | | |
| DS41-400 | | 3314011 | | | | |
| DS41-230 | | 331901 | | | | |
| DS41-280 | | 3311011 | | | | |
| DS41-230 | | 3317011 | | | | |
| DS41-120 | | 3316011 | | | | |

Note 1: Rating in compliance with NF C15-100 art.534.1.5.3. In order to increase service continuity, higher rating can be used (up to 125 A). For further information, please consult product instructions..

