

Surge protector for Video Survey Camera

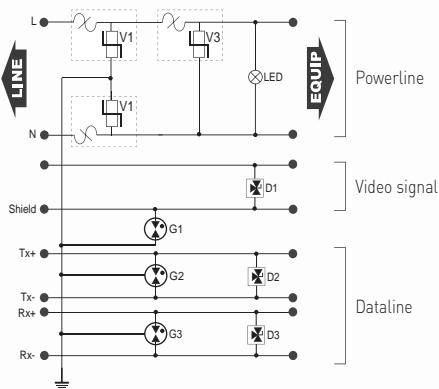
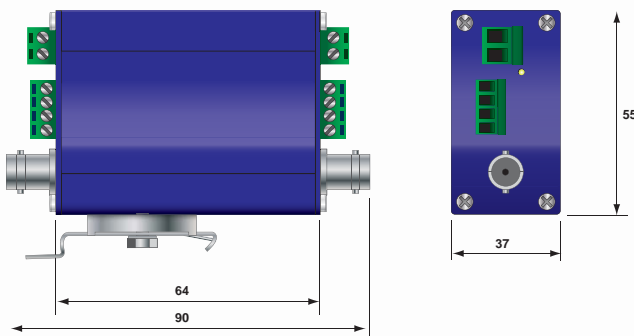
MSP-VM-2P series



- Security camera Surge Protector
- AC, Data and Video in single unit
- Compact aluminium housing
- Rail DIN mounting or plate mounting
- Other versions :
 - Data 1 pair : MSP-VM..
 - Cat.5 - RJ45 : MSP-VM../R

Dimensions - Electrical Diagram

(in mm)



V : Varistor
 LED : status indicator
 D : Clamping diode network
 G : Gas tube

Characteristics

CITEL part number		MSP-VM24-2P	MSP-VM-120-2P	MSP-VM-230-2P
Power				
Nominal voltage	Un	24 Vdc	120 Vdc	230 Vdc
Maximum voltage	Uc	30 Vdc	150 Vdc	255 Vdc
Line current	IL	5 A	5 A	5 A
Nominal discharge current	In	5 kA	5 kA	5 kA
Maximum discharge current	Imax	10 kA	10 kA	10 kA
Protection level	Up	0.3 kV	0.8 kV	1.2 kV
Connection		Screw terminal : Max. 2.5 mm ²		
Failure mode		Power failure and led green off		
Data 2 pairs				
Maximum voltage	Uc	8 Vdc	8 Vdc	8 Vdc
Nominal discharge current	In	2.5 kA	2.5 kA	2.5 kA
Maximum discharge current	Imax	5 kA	5 kA	5 kA
Protection level	Up	20 kV	20 kV	20 kV
Connection		Screw terminal : Max. 1.5 mm ²		
Failure mode		Short-circuit status (transmission fault)		
Video				
Maximum voltage	Uc	6 Vdc	6 Vdc	6 Vdc
Nominal discharge current	In	5 kA	5 kA	5 kA
Maximum discharge current	Imax	10 kA	10 kA	10 kA
Protection level	Up	20 V	20 V	20 V
Connection		BNC female coaxial connector		
Failure mode		Short-circuit status (transmission fault)		
Mechanical characteristics				
Dimensions		See diagram		
Housing material		Anodized aluminum		
Mounting		DIN rail or on plate (flange)		
Ground network connection		DIN rail or flange		

Other versions

	Alimentation		
	24 Vac/dc	120 Vac	230 Vac
Data 1 pair + Video BNC	MSP-VM24	MSP-VM120	MSP-VM230
Ethernet Cat.5 by RJ45 connector	MSP-VM24/R	MSP-VM120/R	MSP-VM230/R