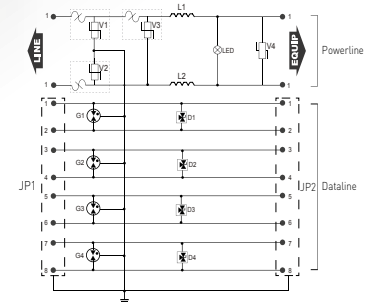
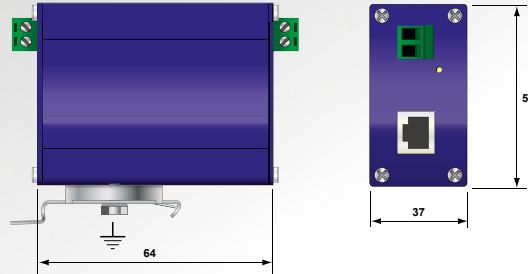


Surge Protector for Video Survey Camera MSP-VM/R Series



V : Varistor
LED : Status indicator
D : Clamping diode network
G : Gas tube
L : Inductor

- Security camera Surge Protector
- AC + Ethernet 100Base-TX (RJ45 connector)
- Compact aluminium housing
- Rail DIN mounting or plate mounting

Characteristics

CITEL Model	MSP-VM/R range			
	MSP-VM12/R	MSP-VM24/R	MSP-VM120/R	MSP-VM230/R
Description	Surge protector for video survey camera Power/data			
AC power specifications				
Network	12 Vac/Vdc	24 Vac/Vdc	120 V single phase	230 V single phase
AC system	-	-	TT-TN	TT-TN
Protection mode(s)	CM/DM	CM/DM	CM/DM	CM/DM
Max. DC operating voltage	Uc 15 Vac/Vdc	30 Vac/Vdc	150 Vdc	255 Vdc
Max. Load current	IL 5 A	5 A	5 A	5 A
Residual current <i>- Leakage current at Uc</i>	Ic None	None	None	None
Nominal discharge current	In 5 kA	5 kA	5 kA	5 kA
Max. discharge current <i>-max. withstand @ 8/20 μs by pole</i>	I _{max} 10 kA	10 kA	10 kA	10 kA
Withstand on Combination waveform <i>- Class III test</i>	Uoc 10 kV/5 kA	10 kV/5 kA	10 kV/5 kA	10 kV/5 kA
Protection level	Up 0.22 kV	0.22 kV	0.8 kV	1.2 kV
Disconnection indicator	Green LED OFF and line cut-off			
Connection to Network	screw terminal 2.5 mm ² max			
Standards compliance	IEC 61643-11 / EN 61643-11 / UL1449 ed.4			
Dataline specifications				
Network	4 pairs Ethernet 100Base-TX	4 pairs Ethernet 100Base-TX	4 pairs Ethernet 100Base-TX	4 pairs Ethernet 100Base-TX
Max. DC operating voltage	Uc 8 Vdc	8 Vdc	8 Vdc	8 Vdc
Max. Load current	IL 300 mA	300 mA	300 mA	300 mA
Max. frequency	f max 125 MHz	125 MHz	125 MHz	125 MHz
Insertion loss	< 1dB	< 1dB	< 1dB	< 1dB
Nominal discharge current	In 2.5 kA	2.5 kA	2.5 kA	2.5 kA
Max. discharge current <i>-max. withstand @ 8/20 μs by pole</i>	I _{max} 5 kA	5 kA	5 kA	5 kA
Protection level	Up 20 V	20 V	20 V	20 V
Disconnection indicator	interruption of transmission			
Connection to Network	RJ45 shielded			
Standards compliance	IEC 61643-21 / EN 61643-21			
Mechanical characteristics				
Dimensions	see diagram			
Mounting	DIN rail or plate (flange)			
Operating temperature	-40/+85°C			
Protection rating	IP20			
Housing material	anodized aluminum			
Part number	420413	420412	420414	420411