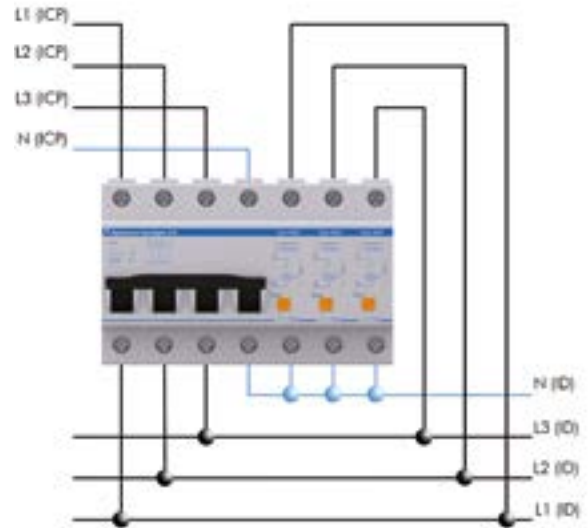




> IGA TEST series

> IGA TEST T

Three-phase protector against permanent overvoltages with integrated miniature circuit breaker



IGA TEST series protectors cut off the power supply when they detect a permanent overvoltage (for example, a fault in the neutral), thus protecting the equipment installed downstream.

To restore the main circuit breaker, it is necessary to reconnect the protective coils in advance using the RESET buttons. Reclosing will always be carried out from the most external coil to the one closest to the MCB.

IGA TEST permanent overvoltage protectors can be used together with ATSUB-D transient overvoltage protectors.

The integrated MCB is available for the most usual nominal currents: 6, 10, 16, 20, 25, 32, 40, 50 and 63 A.

> INSTALLATION

They must be installed **in series** with the low voltage line, between the power control circuit breaker (ICP) and the residual current device (ID).

Installation should be carried out **without power running through the line**.

The protective coils are to be installed between the lines connected to the residual current breaker and the neutral.

The protector is formed by protective coils for permanent overvoltage linked to a miniature circuit breaker (MCB).

> TECHNICAL DATASHEET

		IGA TEST T 6	IGA TEST T 10	IGA TEST T 16	IGA TEST T 20	IGA TEST T 25	IGA TEST T 32	IGA TEST T 40	IGA TEST T 50	IGA TEST T 63
Reference:		AT-9055	AT-9056	AT-9057	AT-9058	AT-9006	AT-9007	AT-9008	AT-9009	AT-9010
Nominal current:		6 A	10 A	16 A	20 A	25 A	32 A	40 A	50 A	63 A
Nominal voltage:	U_n	230 V _{AC}								
Maximum overvoltage:		400 V _{AC}								
Actuation voltage:	U_a	265 - 280 V _{AC}								
Actuation time:		@275 V _{AC} → 8 - 10 s / @400 V _{AC} → 0.1 - 0.2 s								
Maximum short-circuit current:		6 kA								
Dimensions:		123 x 81 x 65 mm (7 modules DIN 43880)								
MCB cable range:		Minimum / Maximum section: 1.5 / 25 mm ²								
Coil cable range:		Minimum / Maximum section: 1.5 / 2.5 mm ² (single-stranded) or 4 mm ² (multi-stranded)								

Tests certified according to standards: UNE-EN 50550, UNE-EN 60898